

OPTIONS

Bollard Material (5" Nominal Size)

- PSS05000 Sch 10 Stainless Steel
- PSS05040 Sch 40 Stainless Steel
- PSS05080 Sch 80 Stainless Steel
- PCS05040 Sch 40 ASTM A-53 Carbon Steel
- PCS05080 Sch 80 ASTM A-53 Carbon Steel

Stainless Steel Bollard Finish

- Polished #4 Finish
- As Specified _____

Carbon Steel Bollard Finish

- Powdercoat RAL # _____
- As Specified _____

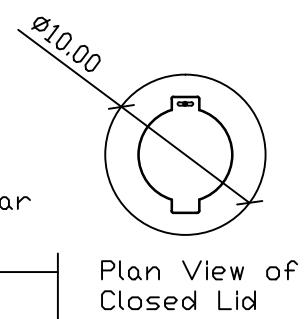
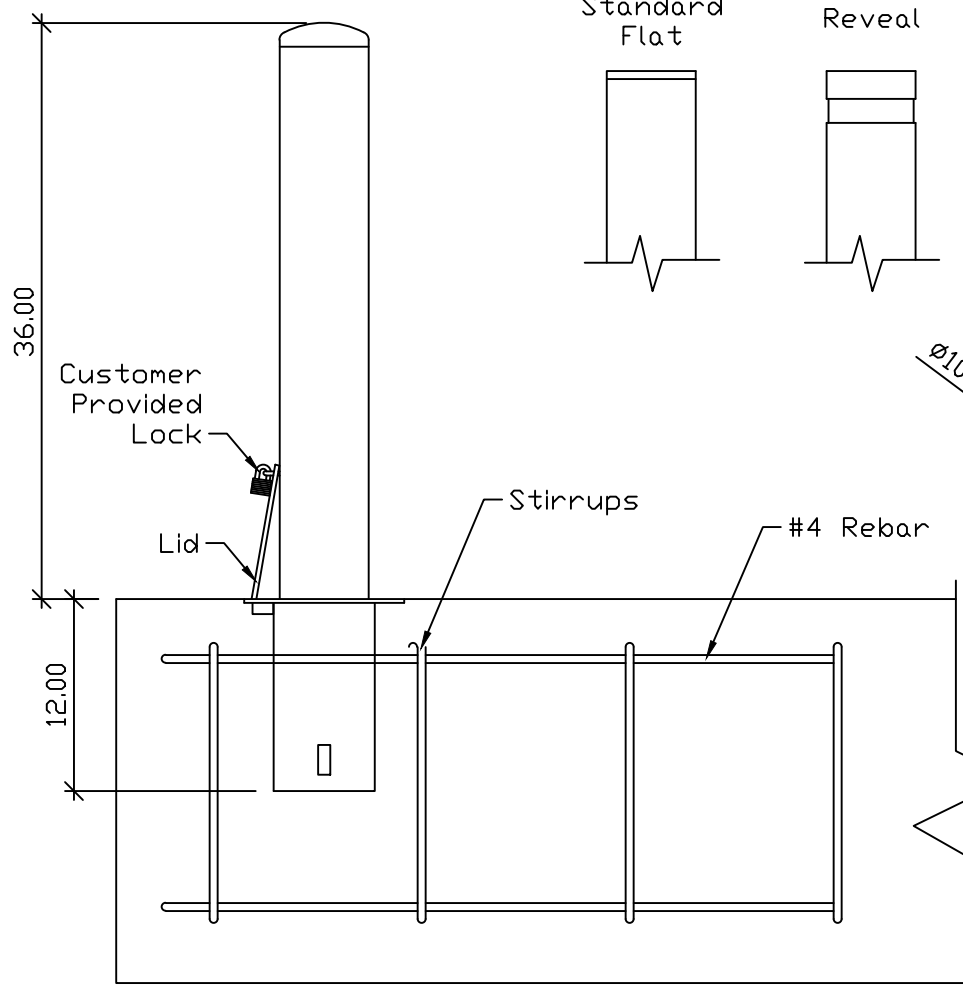
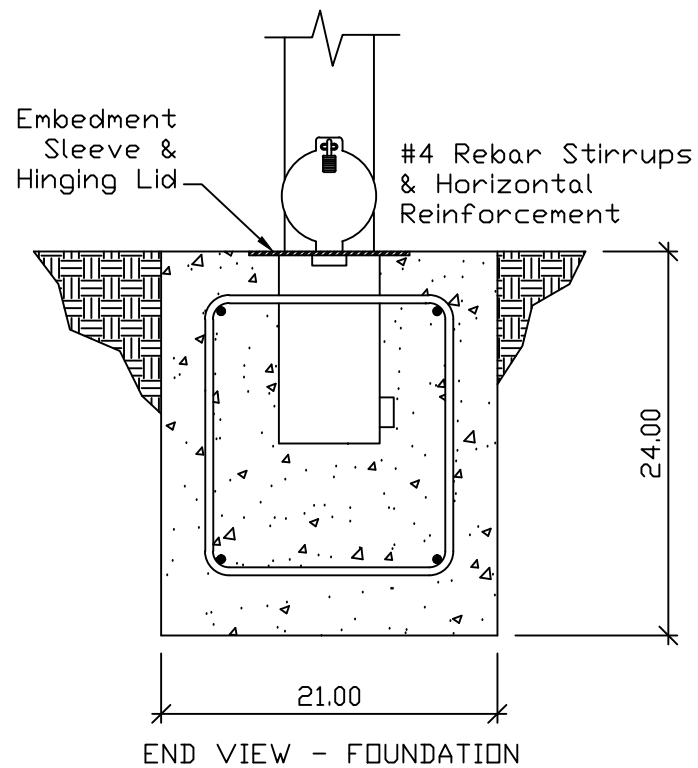
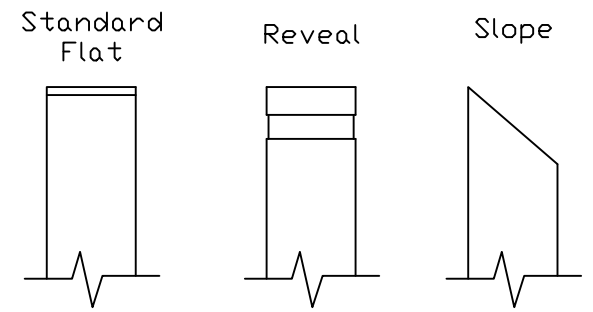
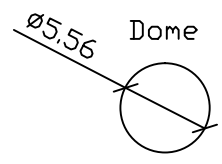
Stainless Steel Bollard Material

- Type 304
- Type 316

Bollard Cap Style

- Dome
- Standard Flat
- Reveal
- Sloped

| REVISIONS | | | |
|-----------|-------------|------|-------|
| LTR | DESCRIPTION | DATE | APPVD |
| | | | |
| | | | |
| | | | |



ELEVATION VIEW - FOUNDATION
(CONCEPTUAL DESIGN ONLY)

END VIEW - FOUNDATION

| | | | |
|--|------------------|-----------------------------|------------------|
| SERIES NUMBER: XX-S050-XX | CAGE CODE: 6NQJB | SIZE | DRAWING NUMBER: |
| PRODUCT FAMILY: FIXED BOLLARD | DRAWN BY: MJW | 3in PL CUTSHEET SIZE A FORM | |
| PRODUCT CLASS: STANDARD OR CUSTOMER DEFINED | CHECKED BY: | DRAWING REV: | |
| PRODUCT LINE: BOLLARD | APPROVED BY: | SHEET: 1 OF 1 | |
| PRODUCT SUB LINE: LOCKING | TITLE: | RELEASE DATE: | |
| 1-800-BOLLARDS, Inc. 24370 Northwestern Hwy, Suite 250 Southfield, MI 48075 | | | BOLLARD, LOCKING |
| PHONE: 1-800-BOLLARDS WEB: WWW.1800BOLLARDS.COM EMAIL: INFO@1800BOLLARDS.COM | | | |

| APPLICATION | |
|-------------|---------|
| NEXT ASSY | USED ON |
| | |
| | |