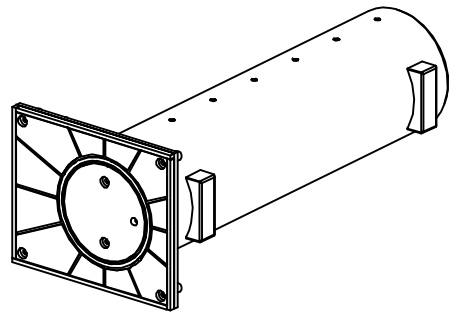
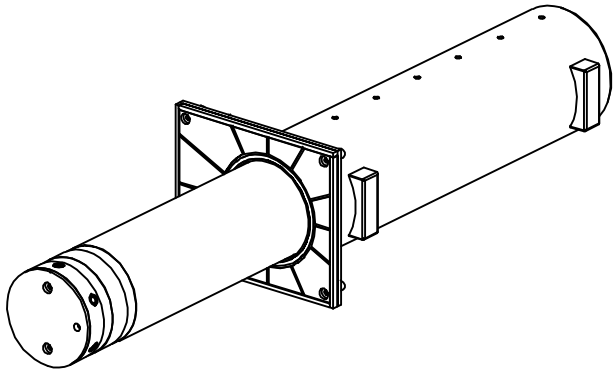
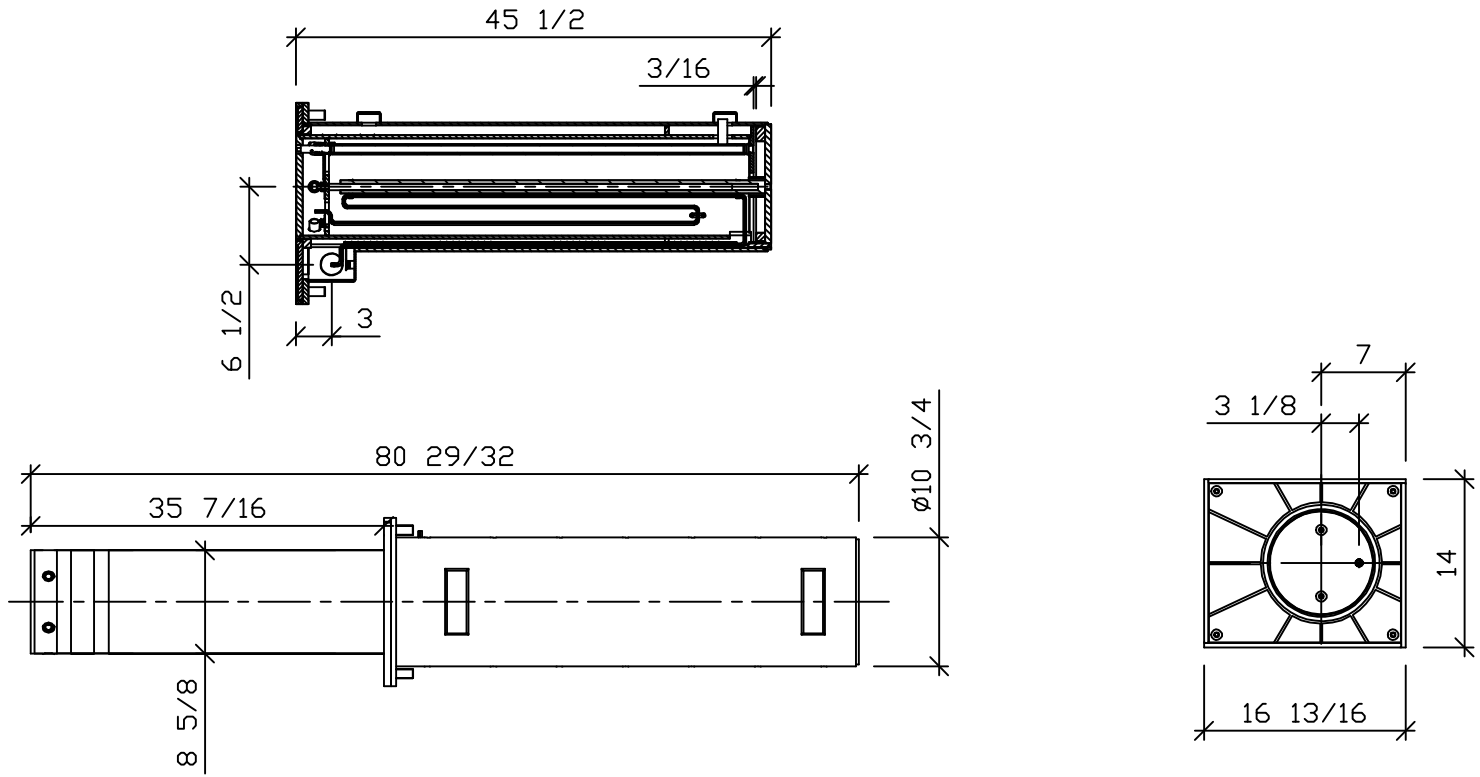


REVISIONS			
LTR	DESCRIPTION	DATE	APPVD



APPLICATION		1-800-BOLLARDS, Inc. 24370 Northwestern Hwy, Suite 250 Southfield, MI 48075 PHONE: 1-800-BOLLARDS WEB: WWW.1800BOLLARDS.COM EMAIL: INFO@1800BOLLARDS.COM	SERIES NUMBER:		CAGE CODE	SIZE	DRAWING NUMBER:
NEXT ASSY	USED ON		PRODUCT FAMILY:	MANUAL RETRACTABLE	6NQJB		MANUAL RETRACTABLE
			PRODUCT CLASS:	STANDARD OR CUSTOMER DEFINED	DRAWN BY:	MJW	DRAWING REV:
			PRODUCT LINE:	BOLLARD	CHECKED BY:		SHEET: 1 OF 1
			PRODUCT SUB LINE:	FIXED	APPROVED BY:		RELEASE DATE:
			TITLE:		MANUAL RETRACTABLE		