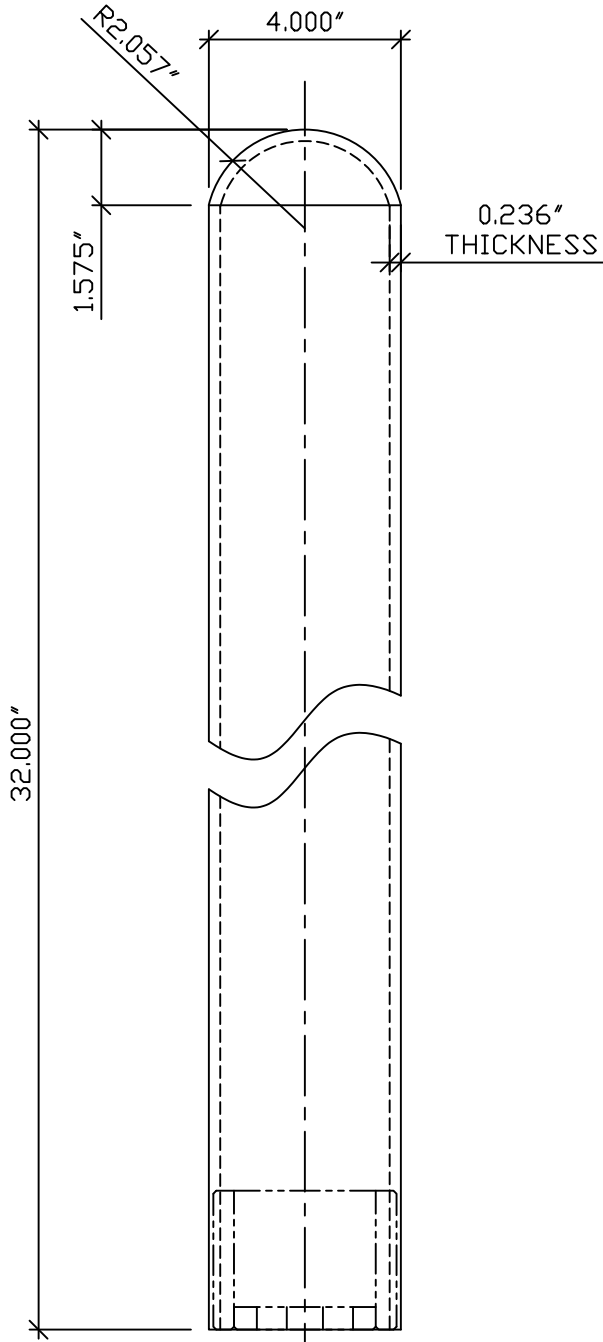
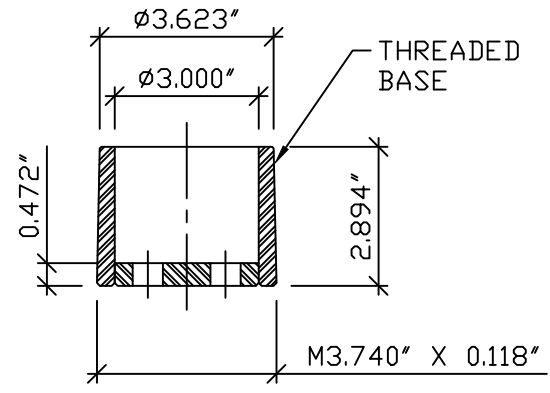


32" STOP POLR GALVANIZED, 4" OD

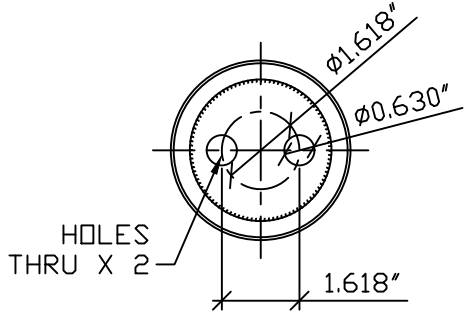
REVISIONS			
LTR	DESCRIPTION	DATE	APPVD



BOLLARD ELEVATION



BASE SECTION



BASE PLAN

SERIES NUMBER:	4" X 32"	CAGE CODE:	N/A	SIZE:	4 X 32	DRAWING NUMBER:	
PRODUCT FAMILY:	TWIST DOWN BOLLARD	DRAWN BY:	MJW	CHECKED BY:		DRAWING REV:	
PRODUCT CLASS:	STANDARD OR CUSTOMER DEFINED	PRODUCT LINE:	BOLLARD	APPROVED BY:		SHEET:	1 OF 1
PRODUCT SUB LINE:	FIXED	TITLE:		TWIST DOWN BOLLARD			

APPLICATION	
NEXT ASSY	USED ON

1-800-BOLLARDS, Inc.
 24370 Northwestern Hwy, Suite 250
 Southfield, MI 48075
 PHONE: 1-800-BOLLARDS
 WEB: WWW.1800BOLLARDS.COM
 EMAIL: INFO@1800BOLLARDS.COM