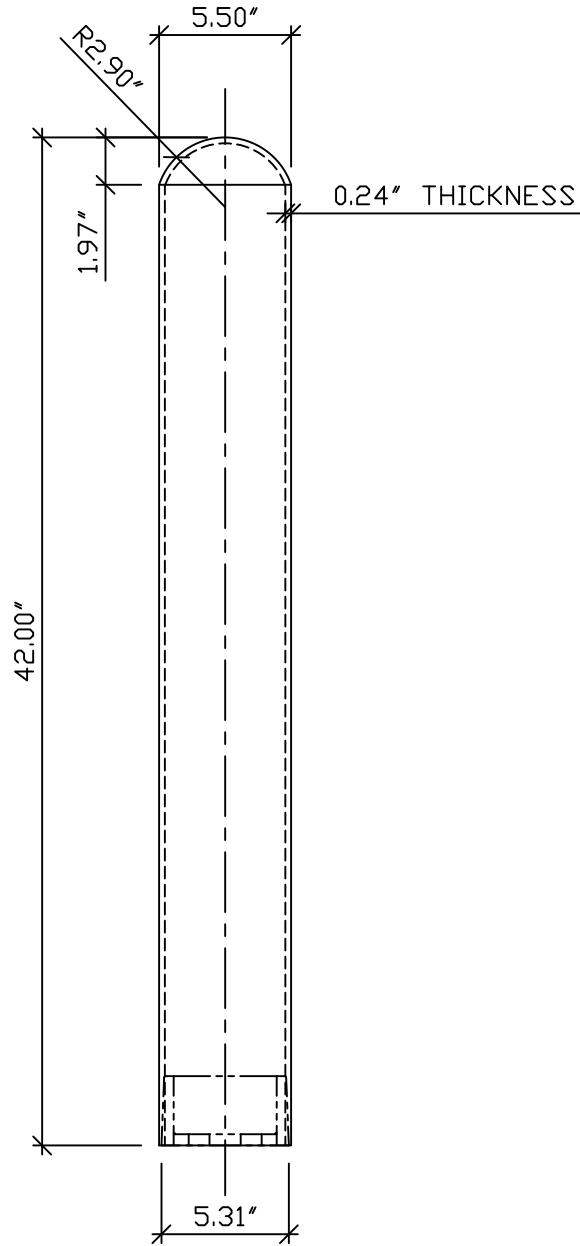
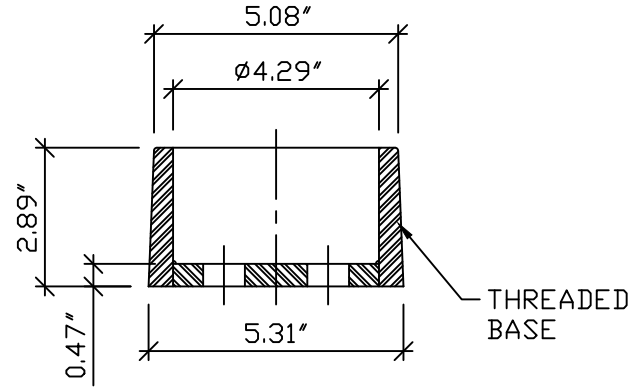


42" GALVANIZED 5 1/2" OD THREADED BOLLARD - 3 HOLES

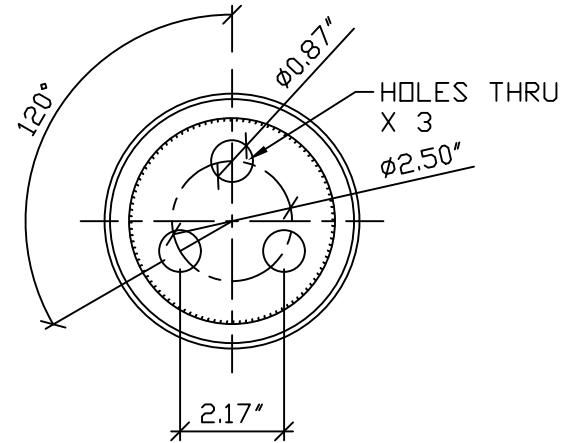
REVISIONS			
LTR	DESCRIPTION	DATE	APPVD



BOLLARD ELEVATION



BASE SECTION



BASE PLAN

APPLICATION	
NEXT ASSY	USED ON

SERIES NUMBER:	5.5" X 42"	CAGE CODE:	N/A	SIZE:	5.5 X 42	DRAWING NUMBER:	
PRODUCT FAMILY:	TWIST DOWN BOLLARD	DRAWN BY:	MJW	CHECKED BY:		DRAWING REV:	
PRODUCT CLASS:	STANDARD OR CUSTOMER DEFINED	PRODUCT LINE:	BOLLARD	APPROVED BY:		SHEET:	1 OF 1
PRODUCT SUB LINE:	FIXED	1-800-BOLLARDS, Inc. 24370 Northwestern Hwy, Suite 250 Southfield, MI 48075		TITLE:		TWIST DOWN BOLLARD	
		PHONE: 1-800-BOLLARDS					
		WEB: WWW.1800BOLLARDS.COM					
		EMAIL: INFO@1800BOLLARDS.COM					