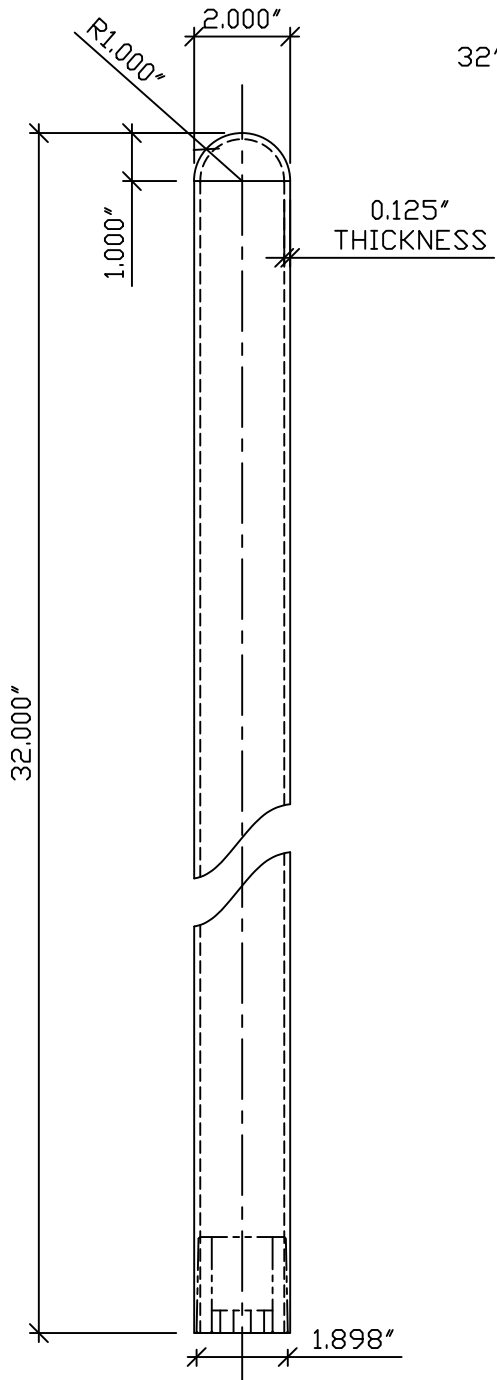
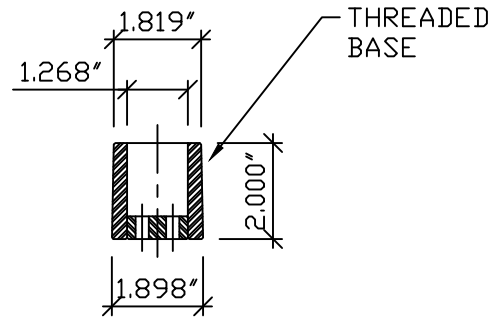


REVISIONS			
LTR	DESCRIPTION	DATE	APPVD

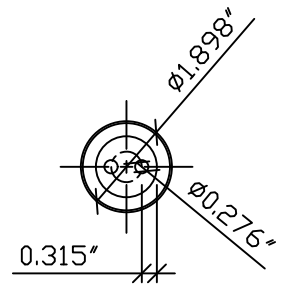
32" SS STOP POLE 2" W/BASE 2 HOLE



BOLLARD ELEVATION



BASE SECTION



BASE PLAN

APPLICATION		SERIES NUMBER:	CAGE CODE	SIZE	DRAWING NUMBER:	
NEXT ASSY	USED ON	2" X 32"	N/A		2 X 32	
		PRODUCT FAMILY:		DRAWN BY:	MJW	
		PRODUCT CLASS:	STANDARD OR CUSTOMER DEFINED	CHECKED BY:		
		PRODUCT LINE:	BOLLARD	APPROVED BY:		
		PRODUCT SUB LINE:	FIXED	RELEASE DATE:		
		1-800-BOLLARDS, Inc. 24370 Northwestern Hwy, Suite 250 Southfield, MI 48075 PHONE: 1-800-BOLLARDS WEB: WWW.1800BOLLARDS.COM EMAIL: INFO@1800BOLLARDS.COM			TITLE:	TWIST DOWN BOLLARD