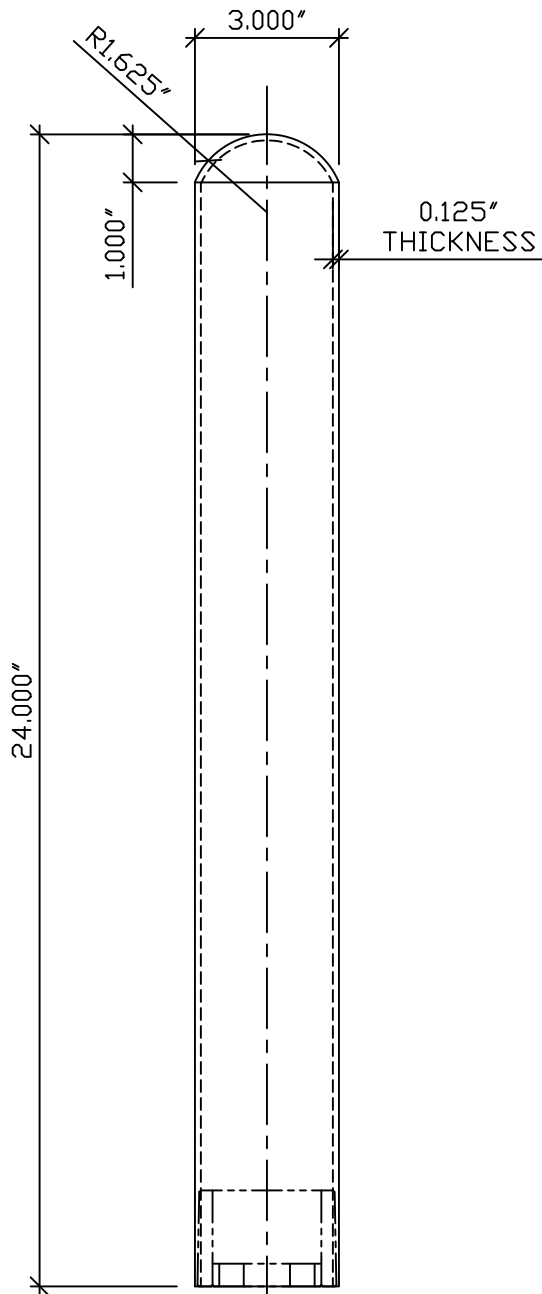
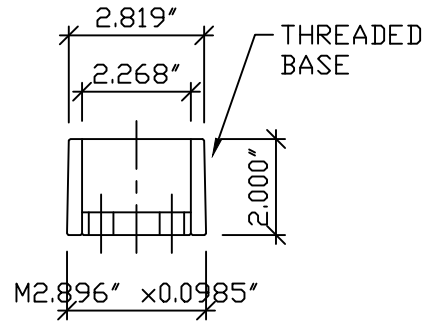


REVISIONS			
LTR	DESCRIPTION	DATE	APPVD

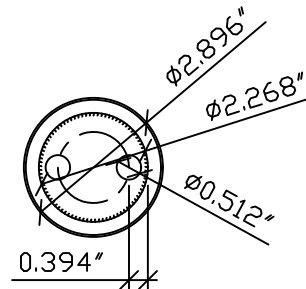
24" SS STOP POLE OD 3" W/BASE 2 HOLE



BOLLARD ELEVATION



BASE SECTION



BASE PLAN

APPLICATION	
NEXT ASSY	USED ON

SERIES NUMBER:	3" X 24"	CAGE CODE:	N/A	SIZE:	3 X 24	DRAWING NUMBER:	
PRODUCT FAMILY:	TWIST DOWN BOLLARD	DRAWN BY:	MJW	CHECKED BY:		DRAWING REV:	
PRODUCT CLASS:	STANDARD OR CUSTOMER DEFINED	PRODUCT LINE:	BOLLARD	APPROVED BY:		SHEET:	1 OF 1
PRODUCT SUB LINE:	FIXED					RELEASE DATE:	
1-800-BOLLARDS, Inc. 24370 Northwestern Hwy, Suite 250 Southfield, MI 48075 PHONE: 1-800-BOLLARDS WEB: WWW.1800BOLLARDS.COM EMAIL: INFO@1800BOLLARDS.COM						TITLE: TWIST DOWN BOLLARD	