

REVISIONS			
LTR	DESCRIPTION	DATE	APPVD

**OPTIONS**

Bollard Material (3" Nominal Size)

- BSS012000 Sch 10 Stainless Steel
- BSS012040 Sch 40 Stainless Steel
- BSS012080 Sch 80 Stainless Steel
- BCS012040 Sch 40 ASTM A-53 Carbon Steel
- BCS012080 Sch 80 ASTM A-53 Carbon Steel

Stainless Steel Bollard Finish

- Polished #4 Finish
- As Specified \_\_\_\_\_

Carbon Steel Bollard Finish

- Powdercoat RAL # \_\_\_\_\_
- As Specified \_\_\_\_\_

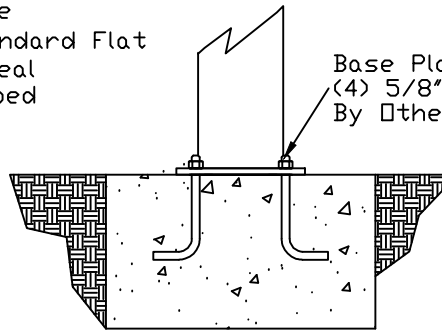
Stainless Steel Bollard Material

- Type 304
- Type 316

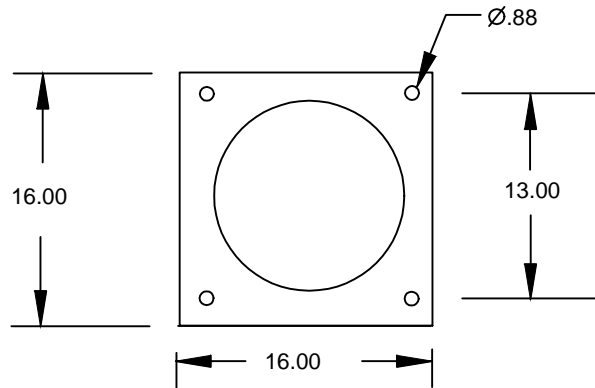
Bollard Cap Style

- Dome
- Standard Flat
- Reveal
- Sloped

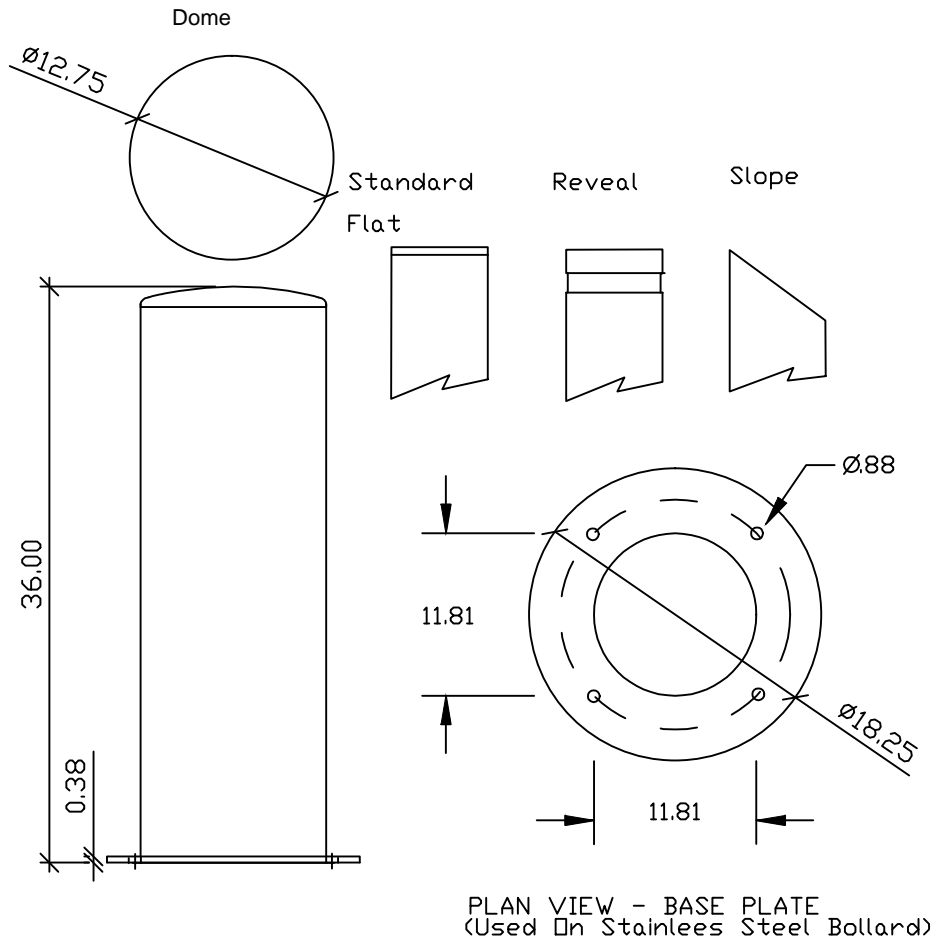
Base Plate Requires  
(4) 5/8" Anchor Bolts  
By Others



END VIEW - FOUNDATION



PLAN VIEW - BASE PLATE  
(Used On Carbon Steel Bollard)



PLAN VIEW - BASE PLATE  
(Used On Stainless Steel Bollard)

APPLICATION	
NEXT ASSY	USED ON

SERIES NUMBER: XX-B0120-XX	CAGE CODE: 6NQJ8	SIZE: 12in	DRAWING NUMBER: 12in Base Plate Bollard Size A - R02
PRODUCT FAMILY: FIXED BOLLARD	DRAWN BY: MJW	CHECKED BY:	DRAWING REV:
PRODUCT CLASS: STANDARD OR CUSTOMER DEFINED	PRODUCT LINE: BOLLARD	CHECKED BY:	SHEET: 1 OF 1
PRODUCT SUB LINE: BASEPLATE	APPROVED BY:	CHECKED BY:	RELEASE DATE:
1-800-BOLLARDS, Inc. 24370 Northwestern Hwy, Suite 250 Southfield, MI 48075 PHONE: 1-800-BOLLARDS WEB: WWW.1800BOLLARDS.COM EMAIL: INFO@1800BOLLARDS.COM			TITLE: <b>BOLLARD, BASEPLATE</b>