

OPTIONS

Bollard Material (3" Nominal Size)

- BSS08000 Sch 10 Stainless Steel
- BSS08040 Sch 40 Stainless Steel
- BSS08080 Sch 80 Stainless Steel
- BCS08040 Sch 40 ASTM A-53 Carbon Steel
- BCS08080 Sch 80 ASTM A-53 Carbon Steel

Stainless Steel Bollard Finish

- Polished #4 Finish
- As Specified _____

Carbon Steel Bollard Finish

- Powdercoat RAL # _____
- As Specified _____

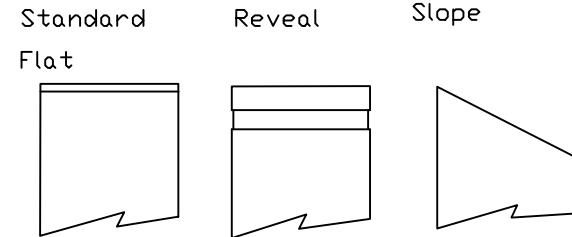
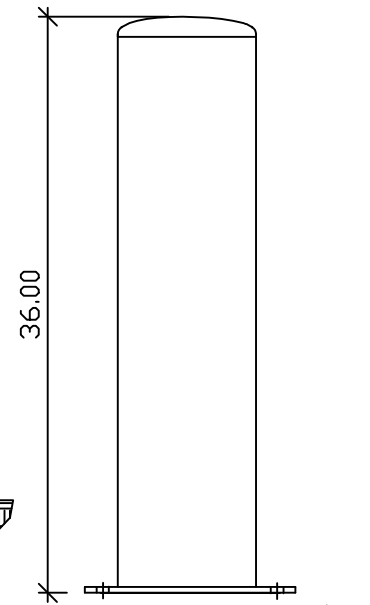
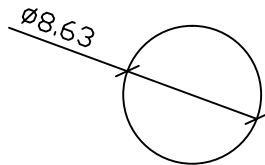
Stainless Steel Bollard Material

- Type 304
- Type 316

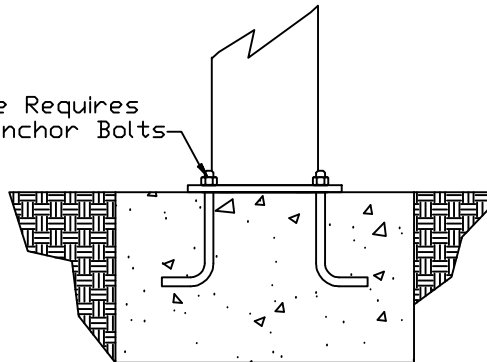
Bollard Cap Style

- Dome
- Standard Flat
- Reveal
- Sloped

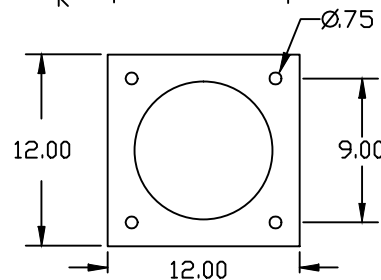
REVISIONS			
LTR	DESCRIPTION	DATE	APPVD



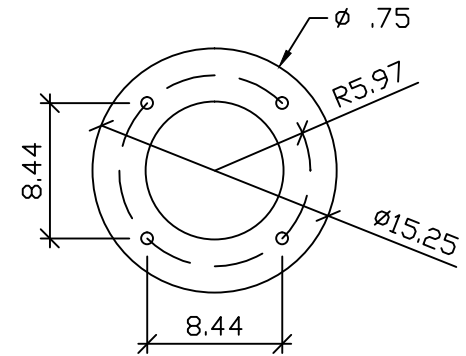
Base Plate Requires
(4) 5/8" Anchor Bolts
By Others



END VIEW - FOUNDATION



PLAN VIEW - BASE PLATE
(Used On Carbon Steel Bollard)



PLAN VIEW - BASE PLATE
(Used On Stainless Steel Bollard)

APPLICATION	
NEXT ASSY	USED ON

SERIES NUMBER: XX-B080-XX	CAGE CODE: 6NQJ8	SIZE: 6NQJ8	DRAWING NUMBER: 6NQJ8
PRODUCT FAMILY: FIXED BOLLARD	On Base Plate Bollard Size A - R02		
PRODUCT CLASS: STANDARD OR CUSTOMER DEFINED	DRAWN BY: MJW	DRAWING REV: 1	
PRODUCT LINE: BOLLARD	CHECKED BY:	SHEET: 1 OF 1	
PRODUCT SUB LINE: BASEPLATE	APPROVED BY:	RELEASE DATE:	
1-800-BOLLARDS, Inc. 24370 Northwestern Hwy, Suite 250 Southfield, MI 48075			TITLE: BOLLARD, BASEPLATE
PHONE: 1-800-BOLLARDS	WEB: WWW.1800BOLLARDS.COM		
EMAIL: INFO@1800BOLLARDS.COM			