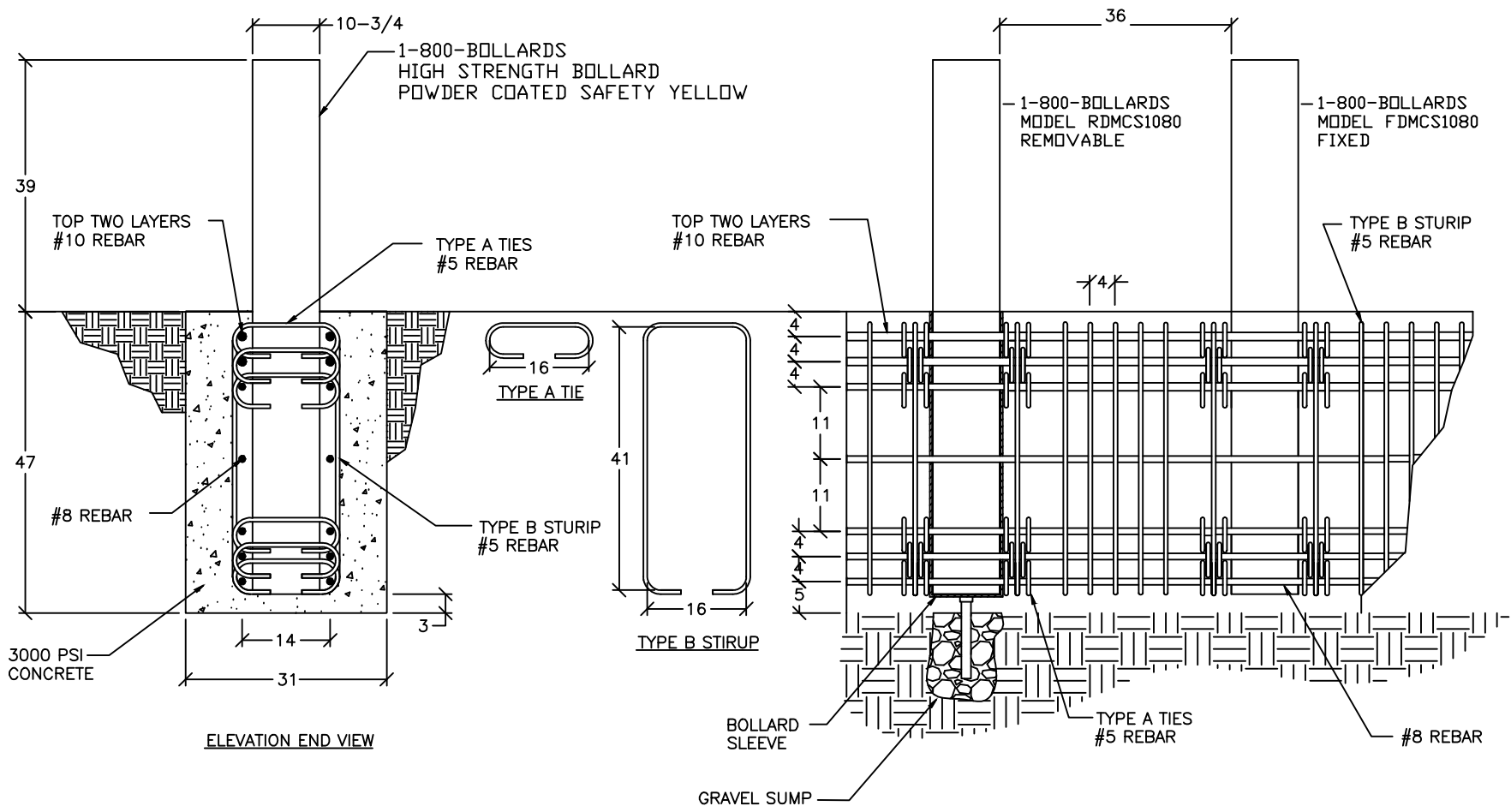


| REVISIONS |             |      |       |
|-----------|-------------|------|-------|
| LTR       | DESCRIPTION | DATE | APPVD |
|           |             |      |       |
|           |             |      |       |



ELEVATION END VIEW

1. CONCRETE PER ASTM C-94, 3000 PSI (20 MPa) MINIMUM @ 28 DAYS.
2. REINFORCING STEEL TO BE ASTM A-615, DEFORMED BILLET
3. COMPACTED BACKFILL SHALL ATTAIN A DRY DENSITY EQUIVALENT TO 95 PERCENT OF THE MAXIMUM OBTAINED IN ASTM D-698. SELECT SOIL OR BACKFILL SHALL BE PLACED IN LAYERS NOT EXCEEDING 6" IN THICKNESS.
4. BOLLARD SHALL BE MANUFACTURED IN A FACILITY CERTIFIED BY UNDERWRITERS LABORATORY.

| APPLICATION |         |
|-------------|---------|
| NEXT ASSY   | USED ON |
|             |         |
|             |         |

|  |                              |              |       |               |  |                 |                     |
|--|------------------------------|--------------|-------|---------------|--|-----------------|---------------------|
| SERIES NUMBER:   | FDMSC1080-RDMCS1080          | CAGE CODE:   | 6NQJ8 | SIZE:         |  | DRAWING NUMBER: | FDMSC1080-RDMCS1080 |
| PRODUCT FAMILY:  | FIXED/REMOVABLE              | CHECKED BY:  | MJW   | DRAWING REV:  |  | SHEET:          | 1 OF 1              |
| PRODUCT CLASS:   | STANDARD OR CUSTOMER DEFINED | APPROVED BY: |       | RELEASE DATE: |  | TITLE:          | BOLLARD             |
| PRODUCT LINE:  | BOLLARD                      |              |       |               |  |                 |                     |
| PRODUCT SUB LINE:  | FIXED/REMOVABLE              |              |       |               |  |                 |                     |
| 1-800-BOLLARDS, Inc.<br>24370 Northwestern Hwy, Suite 250<br>Southfield, MI 48075<br>PHONE: 1-800-BOLLARDS<br>WEB: WWW.1800BOLLARDS.COM<br>EMAIL: INF@1800BOLLARDS.COM |                              |              |       |               |  |                 |                     |