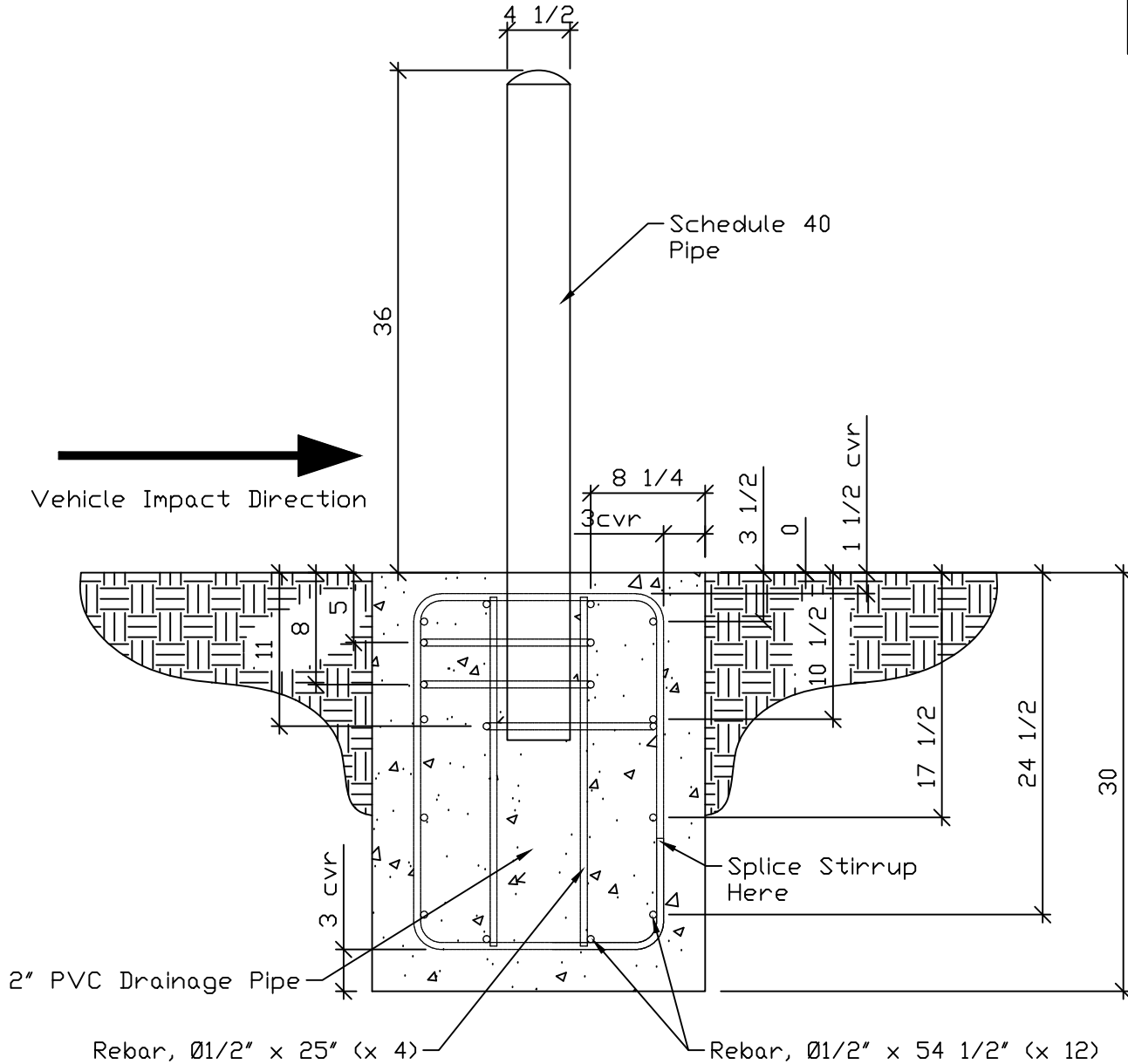


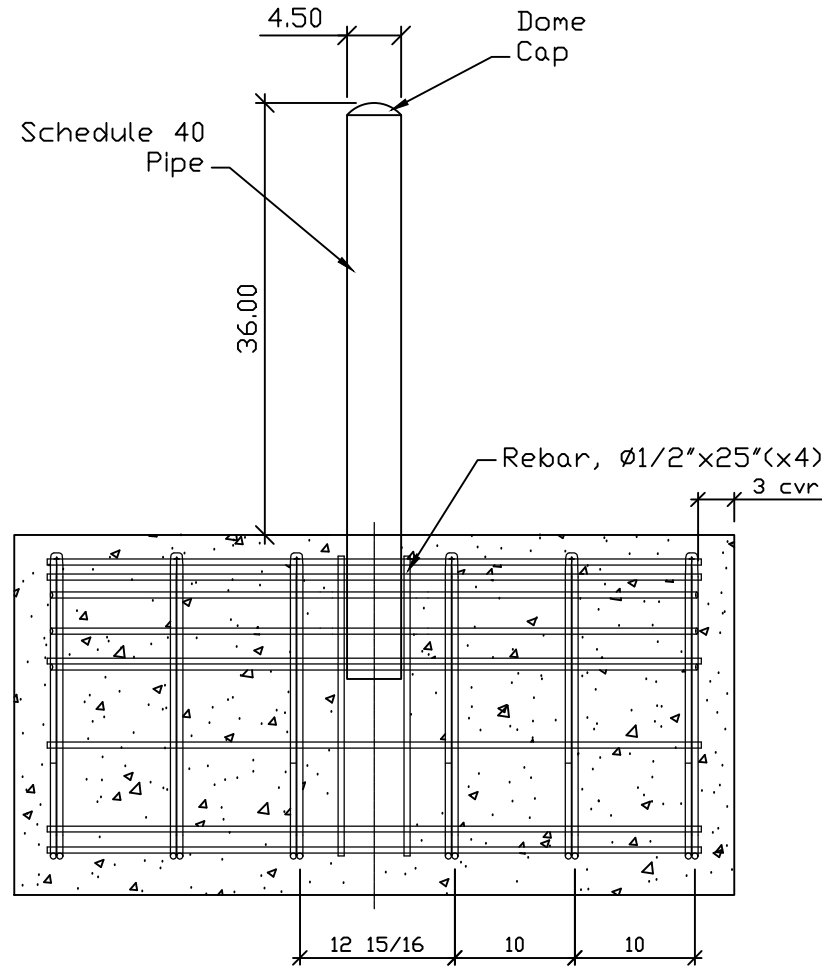
REVISIONS			
LTR	DESCRIPTION	DATE	APPVD



END VIEW-FOUNDATION

APPLICATION		SERIES NUMBER:	CT 4 Inch	CAGE CODE	6NQJ8	SIZE	A	DRAWING NUMBER:	CT 4 Inch-FXD
NEXT ASSY	USED ON	PRODUCT FAMILY:	FIXED BOLLARD	DRAWN BY:	MJW			CHECKED BY:	SHEET 1 of 4
		PRODUCT CLASS:	STANDARD OR CUSTOMER DEFINED	PRODUCT LINE:	BOLLARD	APPROVED BY:		RELEASE DATE:	
		PRODUCT SUB LINE:	FIXED	M2 SECURITY AND CONSULTING NORMAN, OK 73071 OFFICE: (844) 627-6272 DIRECT: (951) 834-6018 EMAIL: JEC@M2SECURITYANDCONSULTING.COM WEB: WWW.M2SECURITYANDCONSULTING.COM		TITLE:		FIXED BOLLARD	

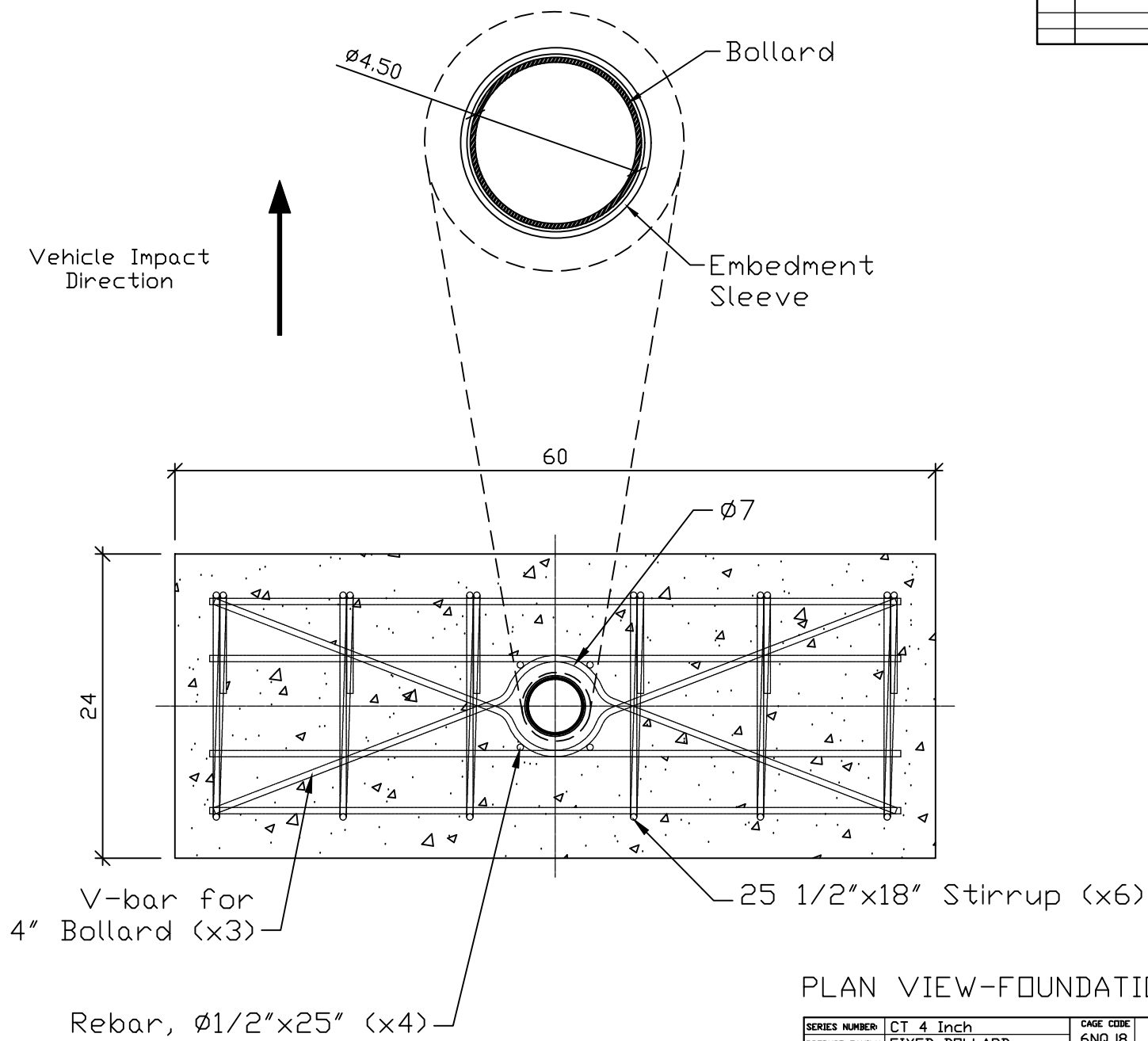
REVISIONS			
LTR	DESCRIPTION	DATE	APPVD



FRONT VIEW-FOUNDATION

SERIES NUMBER:	CT 4 Inch	CAGE CODE:	6NQJ8	SIZE:	A	DRAWING NUMBER:	CT 4 Inch-FXD
PRODUCT FAMILY:	FIXED BOLLARD	DRAWN BY:	MJW	CHECKED BY:		DRAWING REV:	
PRODUCT CLASS:	STANDARD OR CUSTOMER DEFINED	PRODUCT LINE:	BOLLARD	APPROVED BY:		SHEET:	2 of 4
PRODUCT SUB LINE:	FIXED	TITLE:	FIXED BOLLARD				
APPLICATION		M2 SECURITY AND CONSULTING					
NEXT ASSY	USED ON	NORMAN, OK 73071					
		OFFICE: (844) 627-6272					
		DIRECT: (951) 834-6018					
		EMAIL: J@M2SECURITYANDCONSULTING.COM					
		WEB: WWW.M2SECURITYANDCONSULTING.COM					

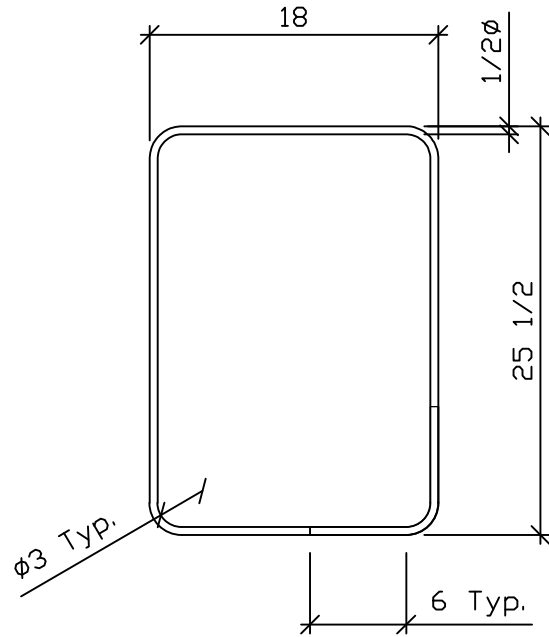
REVISIONS			
LTR	DESCRIPTION	DATE	APPVD



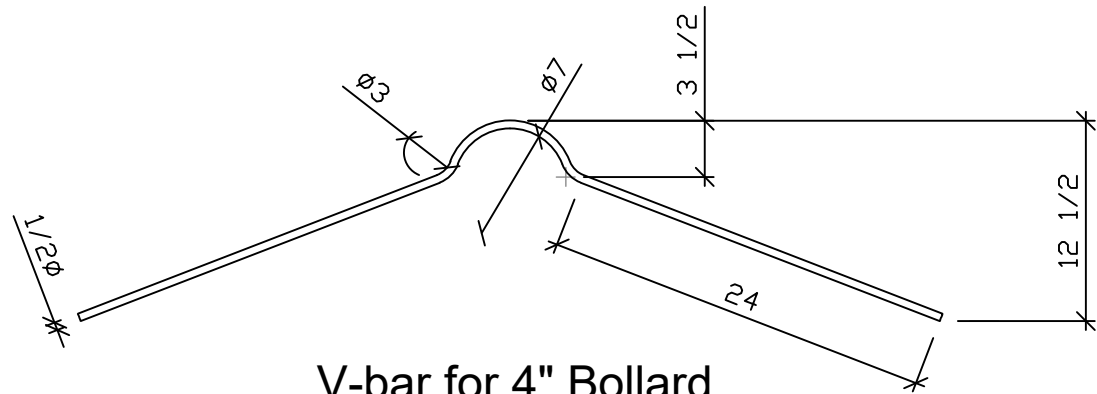
PLAN VIEW-FOUNDATION

APPLICATION		SERIES NUMBER:	CT 4 Inch	CAGE CODE:	6NQJ8	SIZE:	A	DRAWING NUMBER:	CT 4 Inch-FXD
NEXT ASSY	USED ON	PRODUCT FAMILY:	FIXED BOLLARD	DRAWN BY:	MJW	CHECKED BY:		DRAWING REV:	
		PRODUCT CLASS:	STANDARD OR CUSTOMER DEFINED	PRODUCT LINE:	BOLLARD	APPROVED BY:		SHEET:	3 of 4
		PRODUCT SUB LINE:	FIXED	TITLE:		FIXED BOLLARD			
		<small>           M2 SECURITY AND CONSULTING            NORMAN, OK 73071            OFFICE: (844) 627-6272            DIRECT: (951) 834-6018            EMAIL: J@M2SECURITYANDCONSULTING.COM            WEB: WWW.M2SECURITYANDCONSULTING.COM         </small>							

REVISIONS			
LTR	DESCRIPTION	DATE	APPVD



25 1/2" x 18" Stirrup



V-bar for 4" Bollard

SERIES NUMBER:	CT 4 Inch	CAGE CODE:	6NQJ8	SIZE:	A	DRAWING NUMBER:	CT 4 Inch-FXD
PRODUCT FAMILY:	FIXED BOLLARD	DRAWN BY:	MJW	CHECKED BY:		DRAWING REV:	
PRODUCT CLASS:	STANDARD OR CUSTOMER DEFINED	PRODUCT LINE:	BOLLARD	APPROVED BY:		SHEET:	4 of 4
PRODUCT SUB LINE:	FIXED	RELEASE DATE:		TITLE:	FIXED BOLLARD		
APPLICATION		M2 SECURITY AND CONSULTING					
NEXT ASSY	USED ON	NEWMAN, OK 73071					
		OFFICE: (844) 627-6272					
		DIRECT: (951) 834-6018					
		EMAIL: JOE@M2SECURITYANDCONSULTING.COM					
		WEB: WWW.M2SECURITYANDCONSULTING.COM					