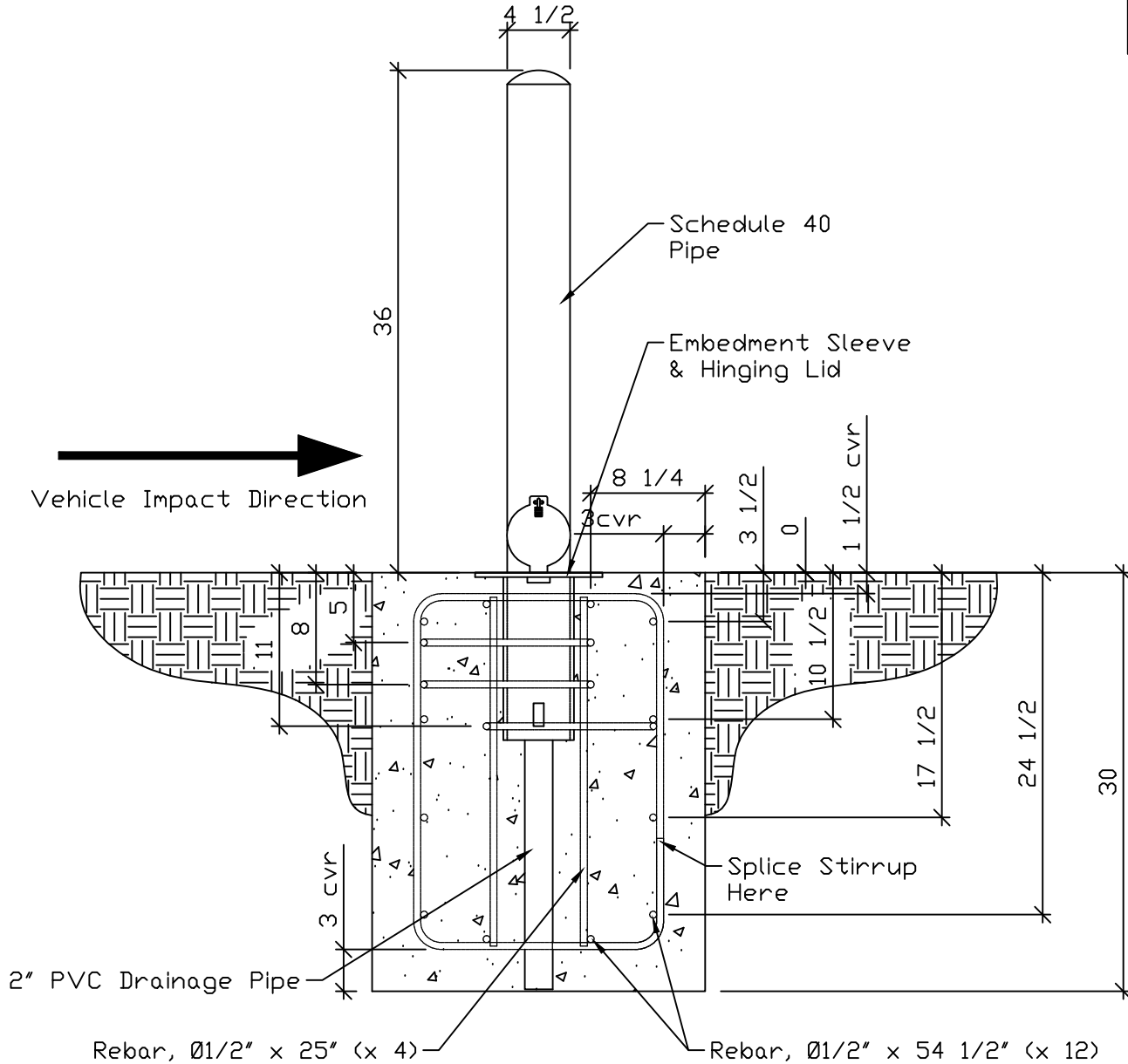


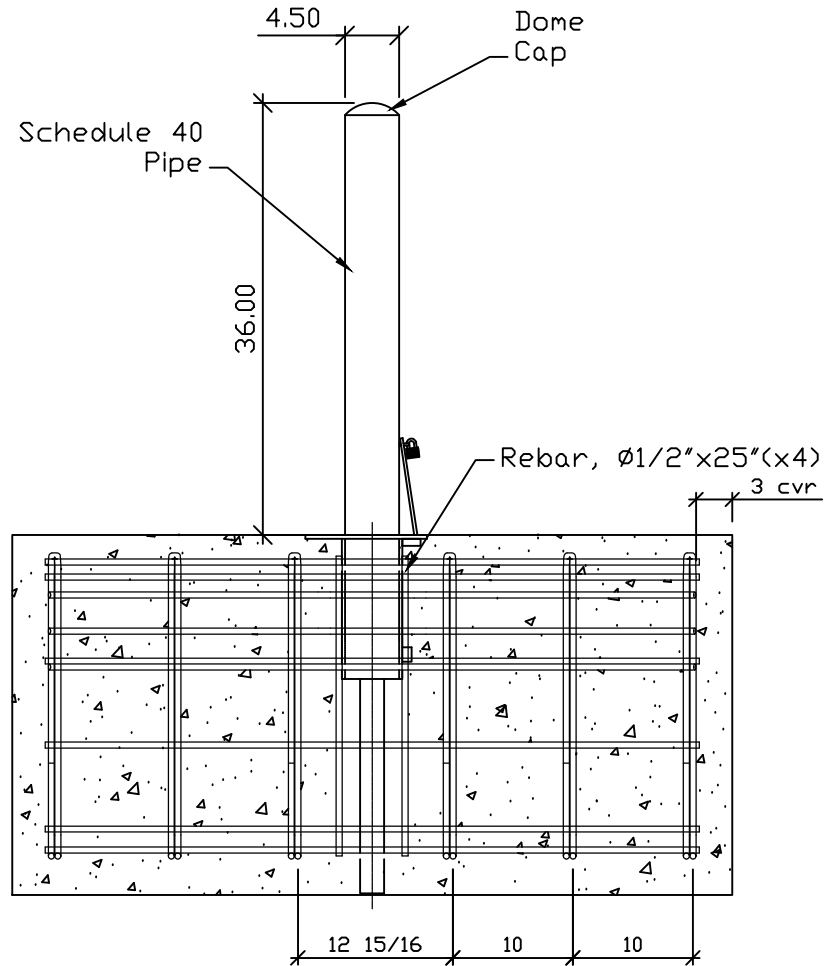
REVISIONS			
LTR	DESCRIPTION	DATE	APPVD



END VIEW-FOUNDATION

SERIES NUMBER:	CT 4 Inch	CAGE CODE:	6NQJ8	SIZE:	A	DRAWING NUMBER:	4 in PL Cutsheet Size A Form
PRODUCT FAMILY:	FIXED BOLLARD	DRAWN BY:	MJW	CHECKED BY:		DRAWING REV:	
PRODUCT CLASS:	STANDARD OR CUSTOMER DEFINED	PRODUCT LINE:	BOLLARD	APPROVED BY:		SHEET:	1 of 4
PRODUCT SUB LINE:	LOCKING	TITLE:	BOLLARD, LOCKING				
APPLICATION		M2 SECURITY AND CONSULTING NORMAN, OK 73071 OFFICE: (844) 627-6272 DIRECT: (951) 834-6018 EMAIL: JIE@M2SECURITYANDCONSULTING.COM WEB: WWW.M2SECURITYANDCONSULTING.COM					
NEXT ASSY	USED ON						

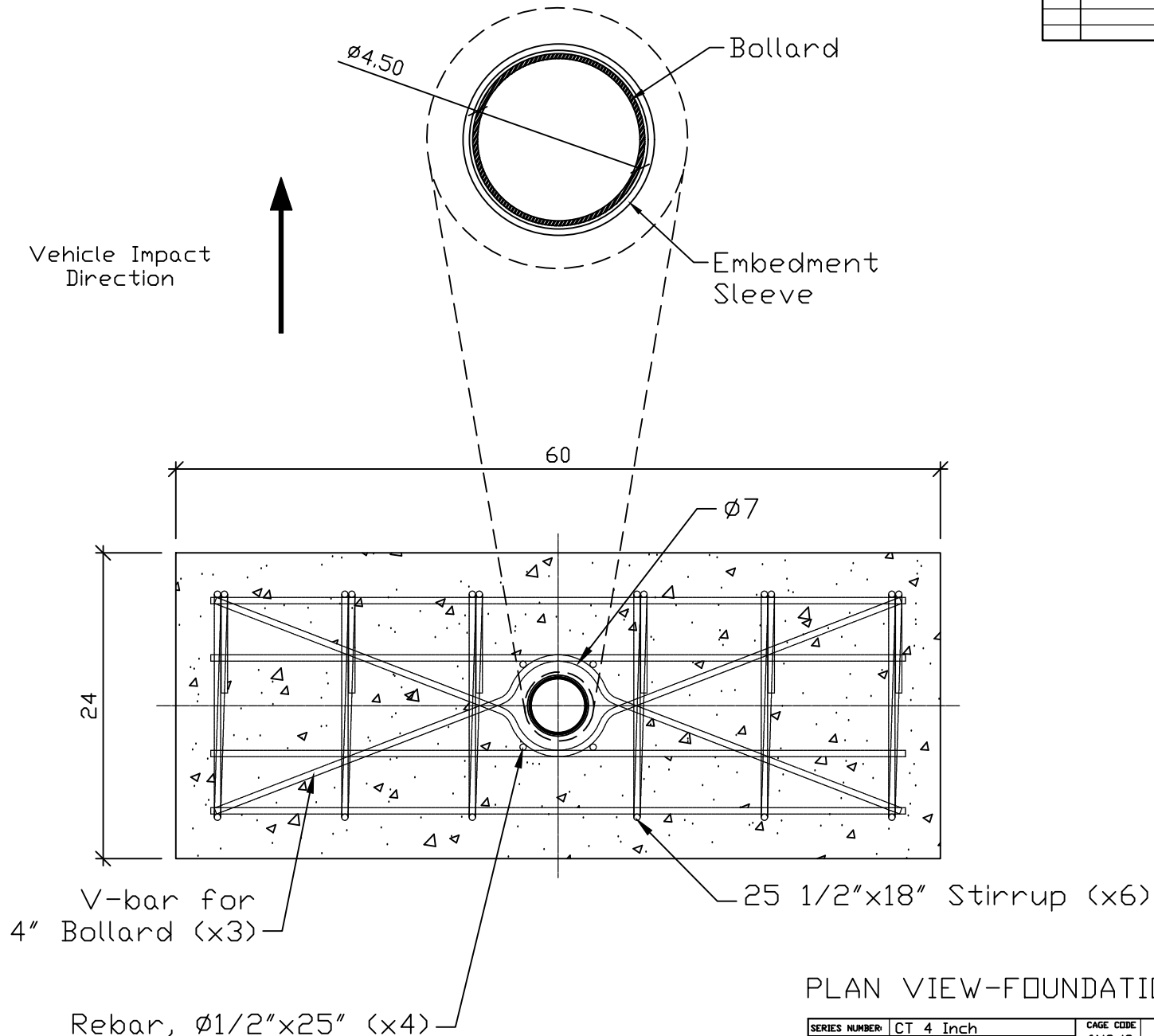
REVISIONS			
LTR	DESCRIPTION	DATE	APPVD



FRONT VIEW-FOUNDATION

SERIES NUMBER:	CT 4 Inch	CAGE CODE:	6NQJ8	SIZE:	A	DRAWING NUMBER:	4 in PL Cutsheet Size A Form
PRODUCT FAMILY:	FIXED BOLLARD	DRAWN BY:	MJW	CHECKED BY:		DRAWING REV:	
PRODUCT CLASS:	STANDARD OR CUSTOMER DEFINED	PRODUCT LINE:	BOLLARD	APPROVED BY:		SHEET:	2 of 4
PRODUCT SUB LINE:	LOCKING			RELEASE DATE:		TITLE:	BOLLARD, LOCKING
APPLICATION							
NEXT ASSY	USED ON						
		M2 SECURITY AND CONSULTING NORMAN, OK 73071 OFFICE: (844) 627-6272 DIRECT: (951) 834-6018 EMAIL: JIE@M2SECURITYANDCONSULTING.COM WEB: WWW.M2SECURITYANDCONSULTING.COM					

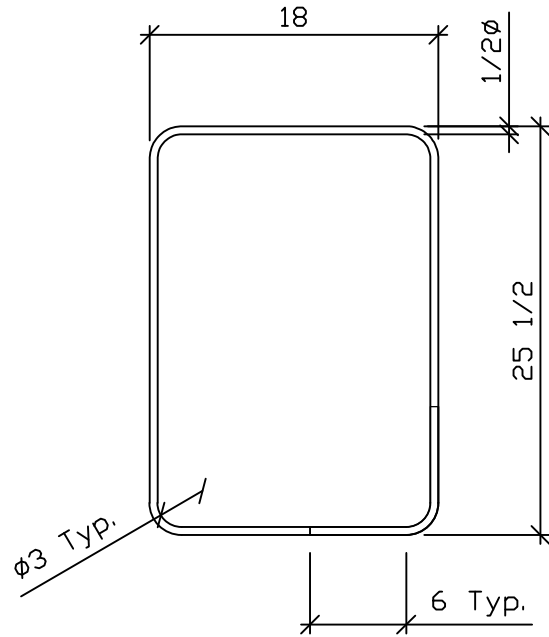
REVISIONS			
LTR	DESCRIPTION	DATE	APPVD



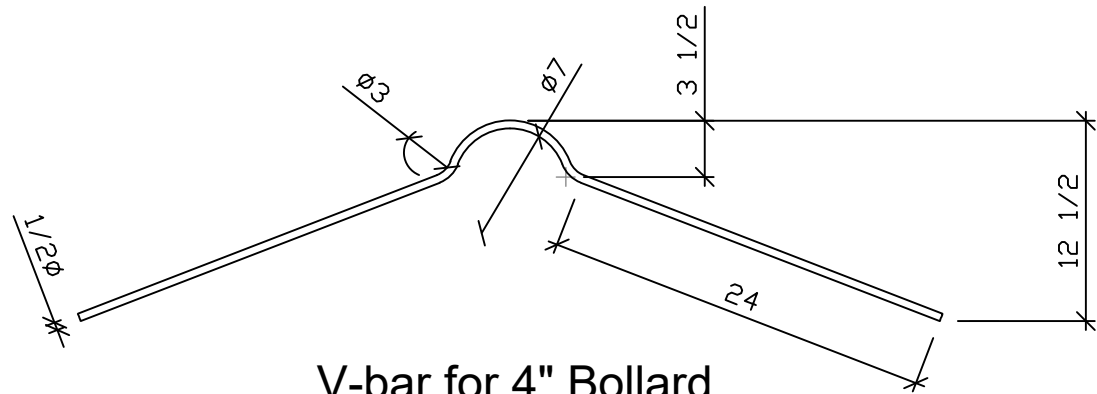
PLAN VIEW-FOUNDATION

APPLICATION		SERIES NUMBER: CT 4 Inch		CAGE CODE: 6NQJ8	SIZE: A	DRAWING NUMBER: 4 in PL Cutsheet Size A Form
NEXT ASSY	USED ON	PRODUCT FAMILY: FIXED BOLLARD	DRAWN BY: MJW	CHECKED BY:	DRAWING REV: SHEET 3 of 4	
		PRODUCT CLASS: STANDARD OR CUSTOMER DEFINED	PRODUCT LINE: BOLLARD	APPROVED BY:	RELEASE DATE:	
		PRODUCT SUB LINE: LOCKING	M2 SECURITY AND CONSULTING NORMAN, OK 73071 OFFICE: (844) 627-6272 DIRECT: (951) 834-6018 EMAIL: J@M2SECURITYANDCONSULTING.COM WEB: WWW.M2SECURITYANDCONSULTING.COM		TITLE: BOLLARD, LOCKING	

REVISIONS			
LTR	DESCRIPTION	DATE	APPVD



25 1/2" x 18" Stirrup



V-bar for 4" Bollard

APPLICATION		SERIES NUMBER: CT 4 Inch	CAGE CODE: 6NQJ8	SIZE: A	DRAWING NUMBER: 4 in PL Cutsheet Size A Form
NEXT ASSY	USED ON	PRODUCT FAMILY: FIXED BOLLARD	DRAWN BY: MJW	CHECKED BY:	DRAWING REV: SHEET: 4 of 4
		PRODUCT CLASS: STANDARD OR CUSTOMER DEFINED	PRODUCT LINE: BOLLARD	APPROVED BY:	RELEASE DATE:
		PRODUCT SUB LINE: LOCKING	TITLE: BOLLARD, LOCKING		
		M2 SECURITY AND CONSULTING NERMAN, OK 73071 OFFICE: (844) 627-6272 DIRECT: (951) 834-6018 EMAIL: JOE@M2SECURITYANDCONSULTING.COM WEB: WWW.M2SECURITYANDCONSULTING.COM			