

REVISIONS			
LTR	DESCRIPTION	DATE	APPVD

LED ROUND BOLLARD SERIES

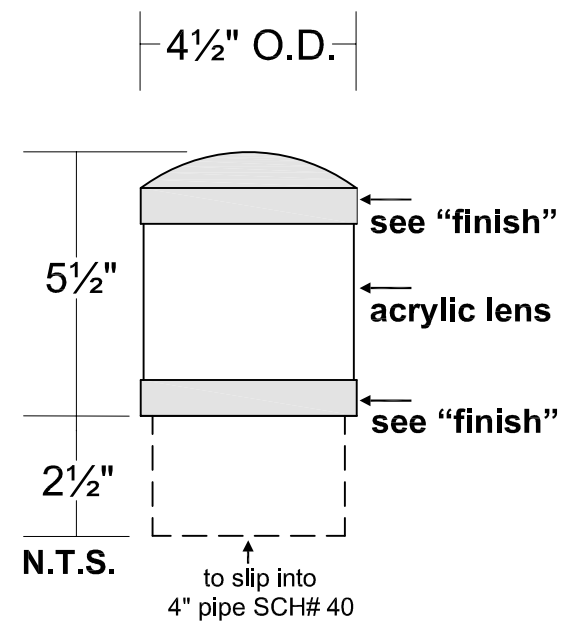
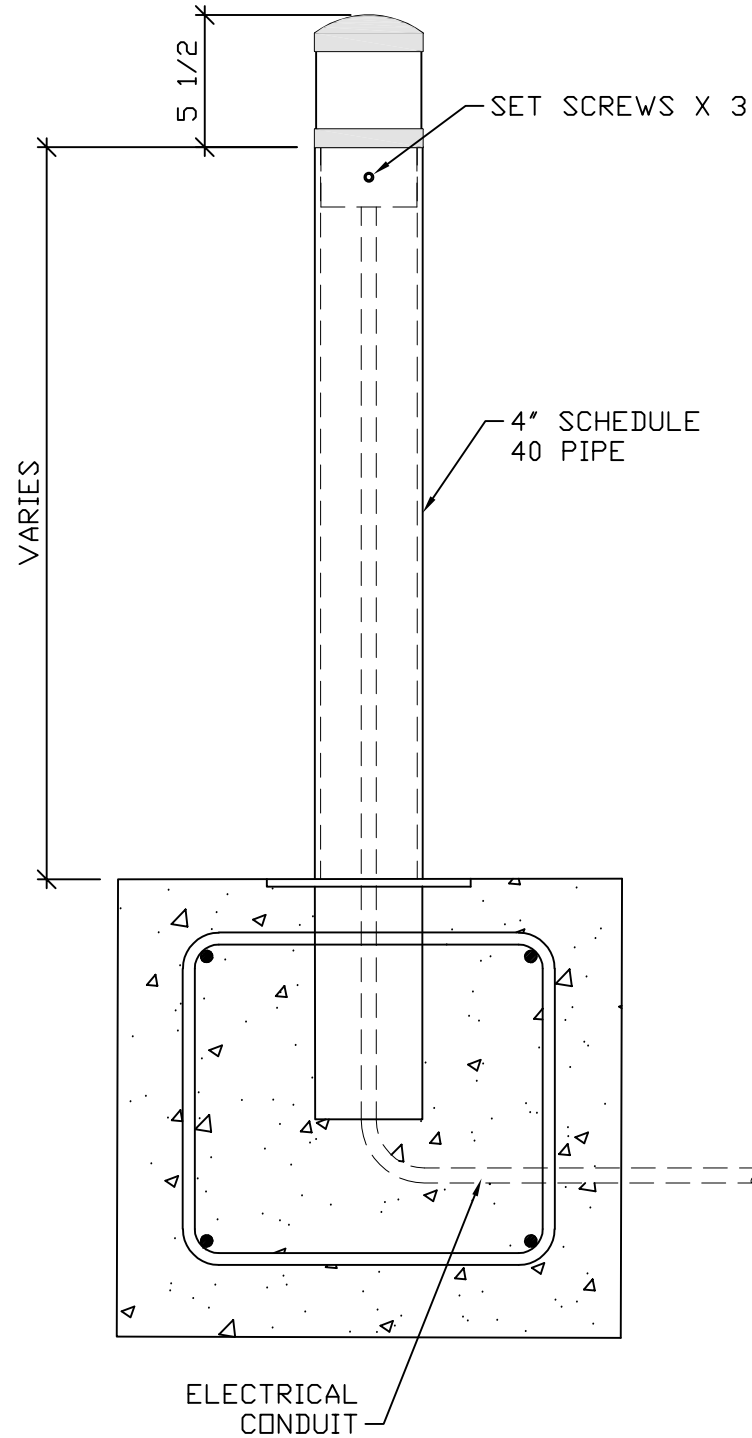
Suitable for wet locations

SYSTEM PERFORMANCE SPECIFICATIONS

LED: 5W, 8W, 12W
 Life Hours: 50,000
 CRI: 70
 CCT: 3000K°, 4000K°, 5000K°
 Voltage: 120V - 277V

FEATURES/BENEFITS

- . High quality LED light that meets industry norms.
- . High efficiency and energy savings.
- . Environmentally friendly.
- . Reliable and low maintenance.
- . 5 year limited warranty on system.
- . All electrical components are UL recognized.



SPECIFICATIONS

LUMINAIRE: Shall consist of heavy duty all stainless steel or aluminum construction.
LENS: High impact resistant, opal or clear acrylic lens.
OPTICS: Type V light distribution.
LIGHT SOURCE: See options list.
DRIVER: Electronic LED driver. (120V-277V).
OPTIONAL: Dimming control (0-10V).
ELECTRICAL: All components are UL recognized. Luminaire is shipped complete and ready to install. Bollard is designed for operation in wet locations.
FINISH: Satin stainless steel or powder coated aluminum.
 All exposed hardware shall be stainless steel.

OPTIONS:

Bollard Material (4" Nominal Size)

- Sch 40 Stainless Steel
 - Type 304
 - Type 316
- Sch 40 ASTM A-53 Carbon Steel
 - Powdercoat RAL# _____
 - As Specified _____

Lens Options

- Opal
- Clear

Light Source

- 5 Watts
- 8 Watts
- 12 Watts

Color Temperature

- 3000k
- 4000k
- 5000k

Optional

- Dimming Control

Finish

- #4 Satin Stainless Steel
- Powder Coated Carbon Steel
RAL# _____

SERIES NUMBER: SS 4.5 BOLLARD	CAGE CODE	SIZE	DRAWING NUMBER: SS 4.5
PRODUCT FAMILY: LIGHTING	DRAWN BY: MJW DRAWING REV:		
PRODUCT CLASS:	CHECKED BY:	SHEET: 1 OF 1	
PRODUCT LINE: BOLLARD	APPROVED BY:	RELEASE DATE:	
1-800-BOLLARDS, Inc. 23392 Madero Road, Suite L Mission Viejo, CA. 92691-2737 PHONE: 1-800-BOLLARDS WEB: WWW.1800BOLLARDS.COM EMAIL: INFO@1800BOLLARDS.COM			TITLE: <h2 style="margin: 0;">LED ROUND SERIES</h2>