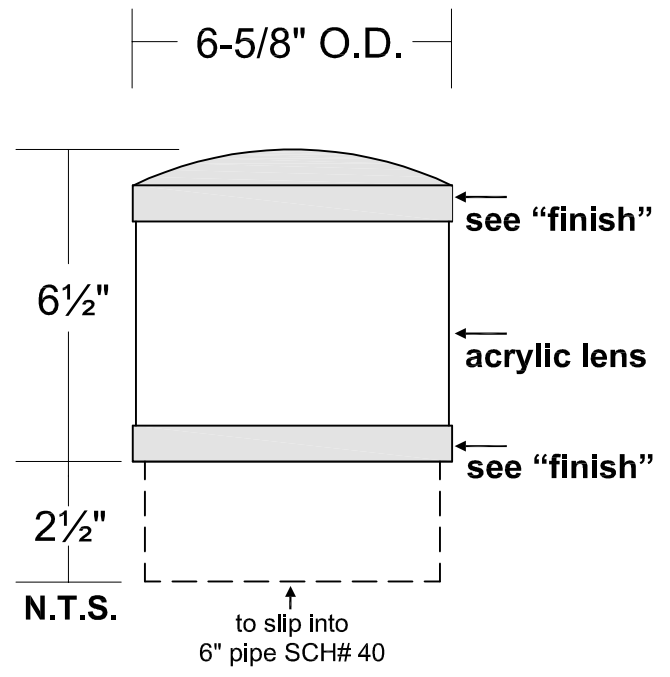
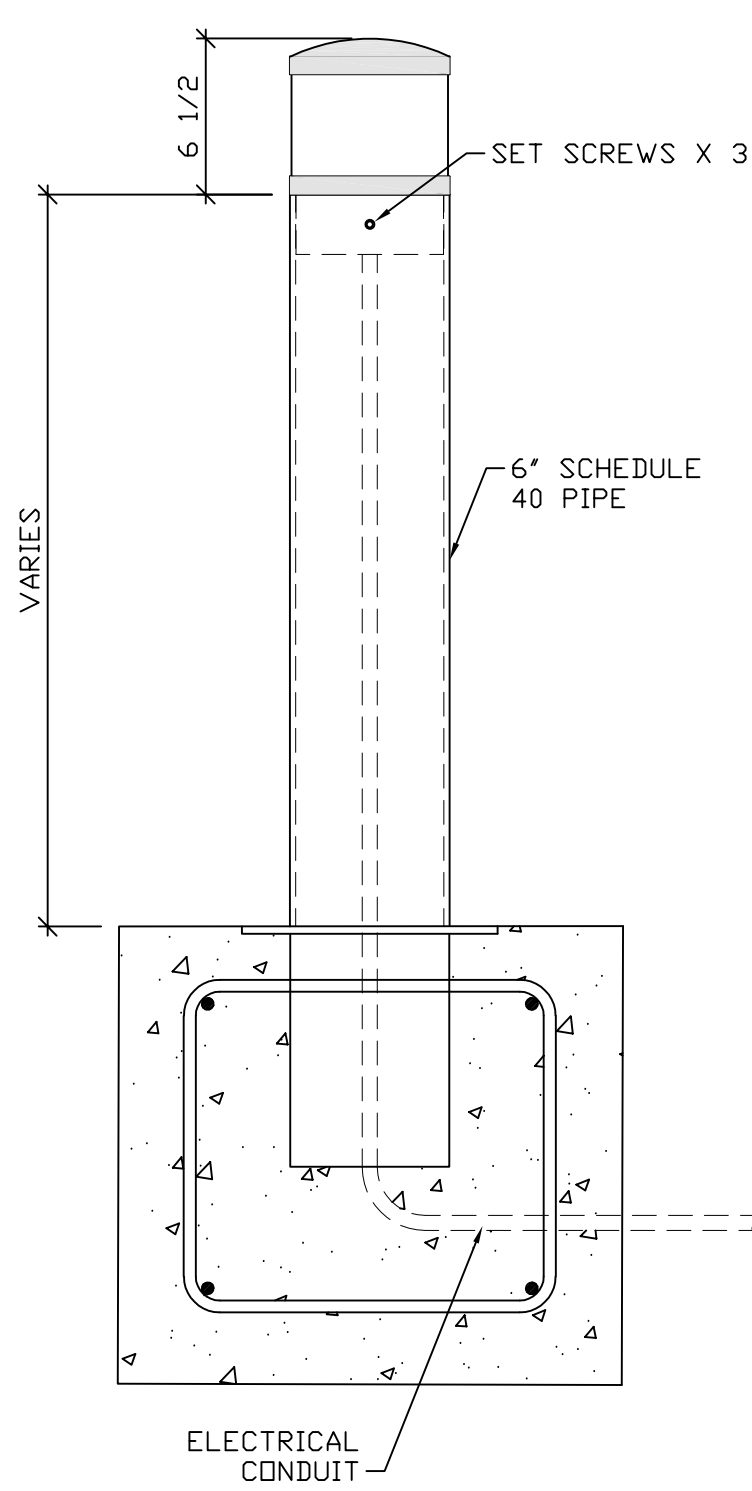


# LED ROUND BOLLARD SERIES

| REVISIONS |             |      |       |
|-----------|-------------|------|-------|
| LTR       | DESCRIPTION | DATE | APPVD |
|           |             |      |       |
|           |             |      |       |



Suitable for wet locations

**SYSTEM PERFORMANCE SPECIFICATIONS**

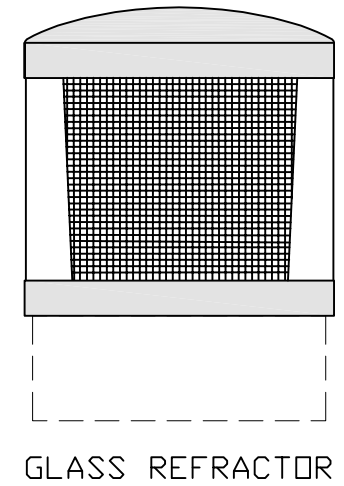
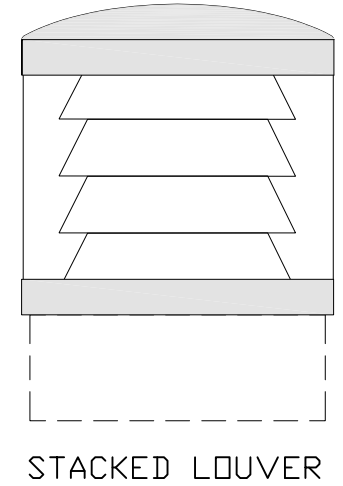
LED: 5W, 8W, 12W  
 Life Hours: 50,000  
 CRI: 70  
 CCT: 3000K°, 4000K°, 5000K°  
 Voltage: 120V - 277V

**FEATURES/BENEFITS**

- . High quality LED light that meets industry norms.
- . High efficiency and energy savings.
- . Environmentally friendly.
- . Reliable and low maintenance.
- . 5 year limited warranty on system.
- . All electrical components are UL recognized.

## SPECIFICATIONS

**LUMINAIRE:** Shall consist of heavy duty all stainless steel or aluminum construction.  
**LENS:** High impact resistant, opal or clear acrylic lens.  
**OPTICS:** Type V light distribution.  
**LIGHT SOURCE:** See options list.  
**DRIVER:** Electronic LED driver. (120V-277V).  
**OPTIONAL:** *Dimming control (0-10V).*  
**ELECTRICAL:** All components are UL recognized. Luminaire is shipped complete and ready to install. Bollard is designed for operation in wet locations.  
**FINISH:** Satin stainless steel or powder coated aluminum.  
 All exposed hardware shall be stainless steel.



## OPTIONS:

Bollard Material (6" Nominal Size)

- Sch 40 Stainless Steel
  - Type 304
  - Type 316
- Sch 40 ASTM A-53 Carbon Steel
  - Powdercoat RAL# \_\_\_\_\_
  - As Specified \_\_\_\_\_

## Lens Options

- Opal
- Clear
- Stacked Louver
- Glass Refractor

## Light Source

- 5 Watts
- 8 Watts
- 12 Watts

## Color Temperature

- 3000k
- 4000k
- 5000k

## Optional

- Dimming Control

## Finish

- #4 Satin Stainless Steel
- Powder Coated Carbon Steel  
RAL# \_\_\_\_\_

|   |                |              |       |                                     |
|---|----------------|--------------|-------|-------------------------------------|
| SERIES NUMBER:  | SS 6.5 BOLLARD | CAGE CODE:   | SIZE: | DRAWING NUMBER:                     |
| PRODUCT FAMILY:   | LIGHTING       |              |       | SS 6.5                              |
| PRODUCT CLASS:  |                | DRAWN BY:    | MJW   | DRAWING REV:                        |
| PRODUCT LINE:   | BOLLARD        | CHECKED BY:  |       | SHEET: 1 OF 1                       |
| PRODUCT SUB LINE:   |                | APPROVED BY: |       | RELEASE DATE:                       |
| 1-800-BOLLARDS, Inc.<br>23392 Madero Road, Suite L<br>Mission Viejo, CA. 92691-2737<br>PHONE: 1-800-BOLLARDS<br>WEB: WWW.1800BOLLARDS.COM<br>EMAIL: INFO@1800BOLLARDS.COM |                |              |       | TITLE:<br><h3>LED ROUND SERIES</h3> |