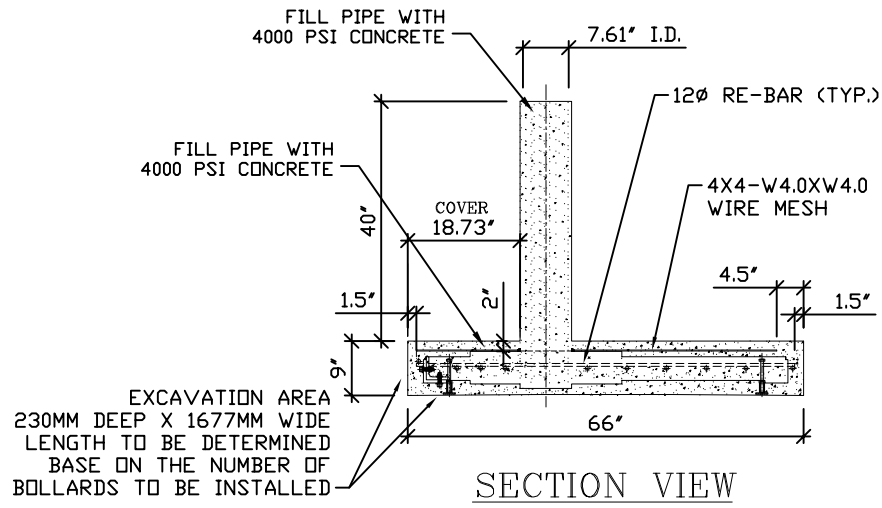
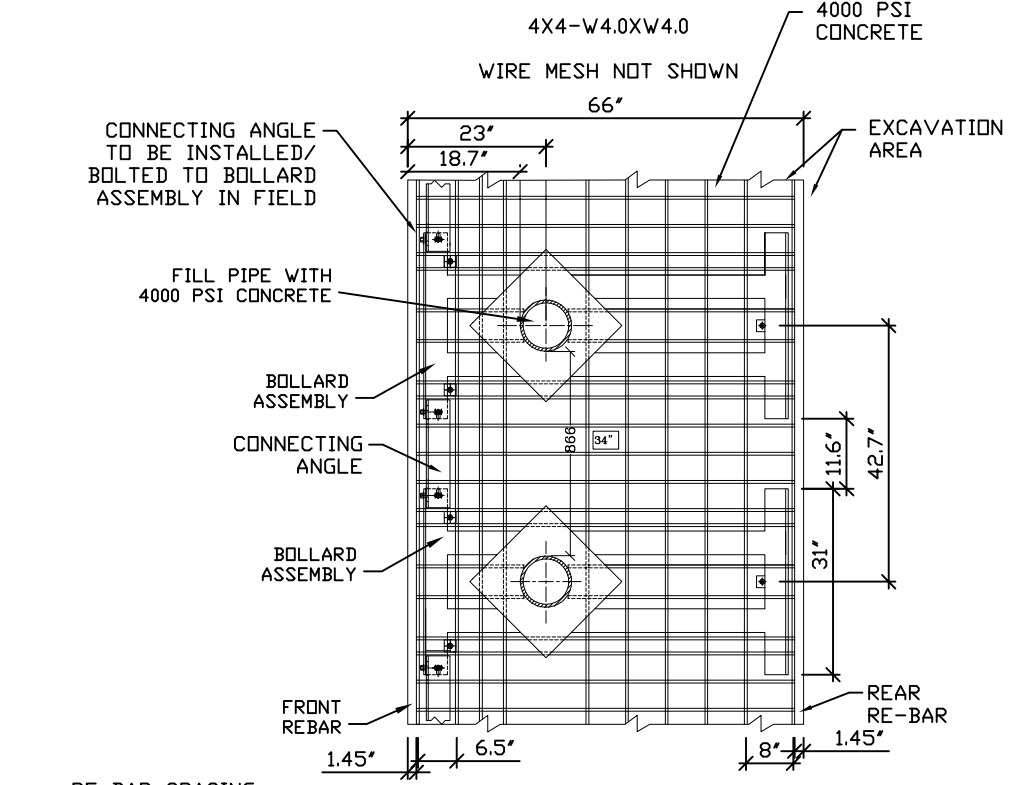


REVISIONS			
LTR	DESCRIPTION	DATE	APPVD



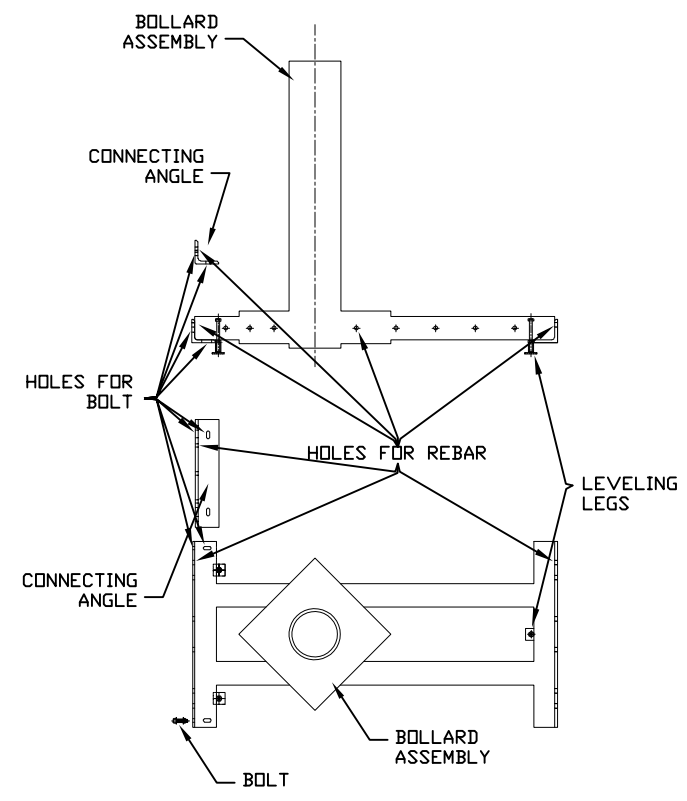
SECTION VIEW



PLAN VIEW

RE-BAR SPACING
 FRONT RE-BAR: 25MM ON CENTER FROM FRONT EDGE OF ASSEMBLY
 REAR RE-BAR: 25MM ON CENTER FROM REAR EDGE OF ASSEMBLY
 ALL OTHER RE-BAR: FIXED BY PRE-DRILLED HOLES IN ASSEMBLY AND CONNECTING ANGLE

BOLLARD SYSTEM COMPONENTS



APPLICATION	
NEXT ASSY	USED ON

SERIES NUMBER: M30 SHALLOW MOUNT	CAGE CODE	SIZE	DRAWING NUMBER: M30 SHALLOW MOUNT
PRODUCT FAMILY: FIXED BOLLARD	DRAWN BY: MJW	DRAWING REV:	
PRODUCT CLASS: STANDARD OR CUSTOMER DEFINED	CHECKED BY:	SHEET: 1 OF 1	
PRODUCT LINE: BOLLARD	APPROVED BY:	RELEASE DATE:	
PRODUCT SUB LINE: SHALLOW MOUNT	TITLE: FIXED BOLLARD		
1-800-BOLLARDS, Inc. 23392 Madero Road, Suite 1 Mission Viejo, CA. 92691-2737 PHONE: 1-800-BOLLARDS WEB: WWW.1800BOLLARDS.COM EMAIL: INFO@1800BOLLARDS.COM			