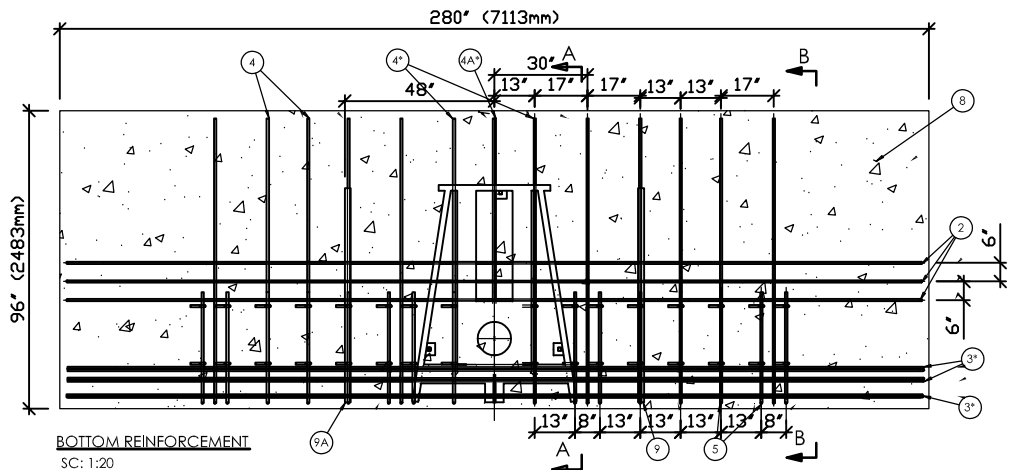
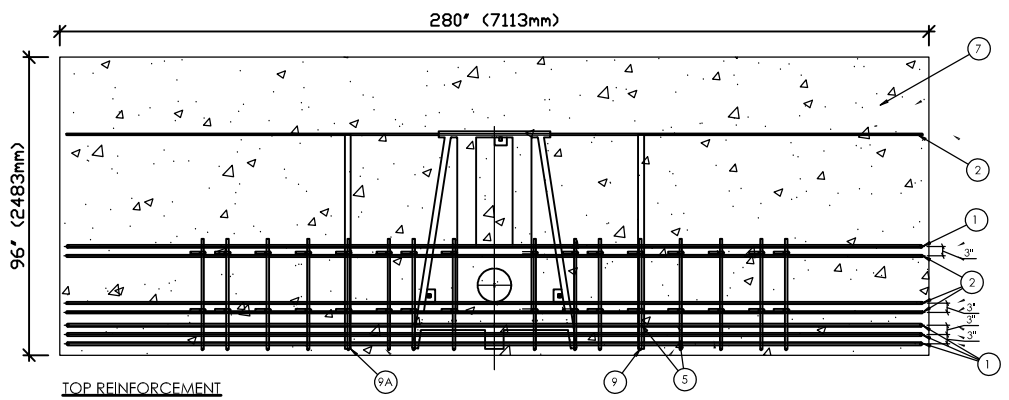


REVISIONS			
LTR	DESCRIPTION	DATE	APPVD



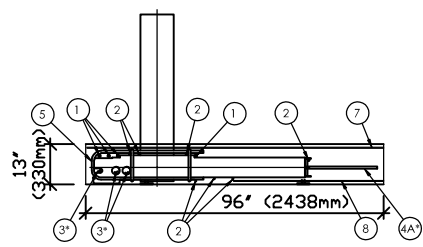
BOTTOM REINFORCEMENT
SC: 1:20

Note:- Wire mesh is not shown for clarity.

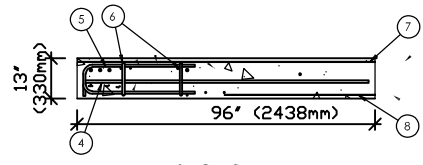


TOP REINFORCEMENT
SC: 1:20

Note:- Wire mesh is not shown for clarity.

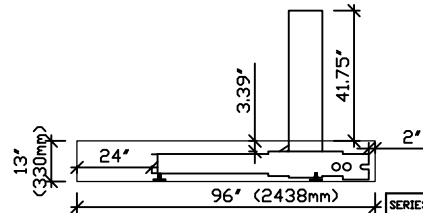


SECTION A-A



SECTION B-B

* Rebar thru holes provided in assembly.



GROUP	SIZE	QTY.	SHAPE/ LENGTH
1	#8 (1" dia)	4	
2	#6 (.75" dia)	7	
3	#4 (.5" dia)	10	
4	#6 (.75 dia)	12	
4A	#6 (.75 dia)	1	
5	#6 (.75 dia)	32	
6	#6 (.75 dia)	48	
7	4"x4", 25" Wire Mesh (8' wide)	1	
8	4"x4", 25" Wire Mesh (4' wide)	1	
9	Channel (Provided by manufacturer)	1	
9A	Channel (Provided by manufacturer)	1	

MATERIAL TABLE		
MATERIAL DESCRIPTION	UNIT	QTY.
CONCRETE FC 4000psi	In ²	
STEEL REINFORCEMENT A615Gr60 Ø2"	lb	
STEEL REINFORCEMENT A615Gr60 Ø4"	lb	
STEEL REINFORCEMENT A615Gr60 Ø	lb	

SERIES NUMBER:	M50 SHALLOW MOUNT	CAGE CODE	SIZE	DRAWING NUMBER:
PRODUCT FAMILY:	FIXED BOLLARD			M50 SHALLOW MOUNT
PRODUCT CLASS:	STANDARD OR CUSTOMER DEFINED	DRAWN BY:	MJW	DRAWING REV:
PRODUCT LINE:	BOLLARD	CHECKED BY:		SHEET: 1 OF 1
PRODUCT SUB LINE:	SHALLOW MOUNT	APPROVED BY:		RELEASE DATE:
1-800-BOLLARDS, Inc. 23392 Madero Road, Suite 1 Mission Viejo, CA. 92691-2737 PHONE: 1-800-BOLLARDS WEB: WWW.1800BOLLARDS.COM EMAIL: INFO@1800BOLLARDS.COM				TITLE: FIXED BOLLARD

APPLICATION	
NEXT ASSY	USED ON