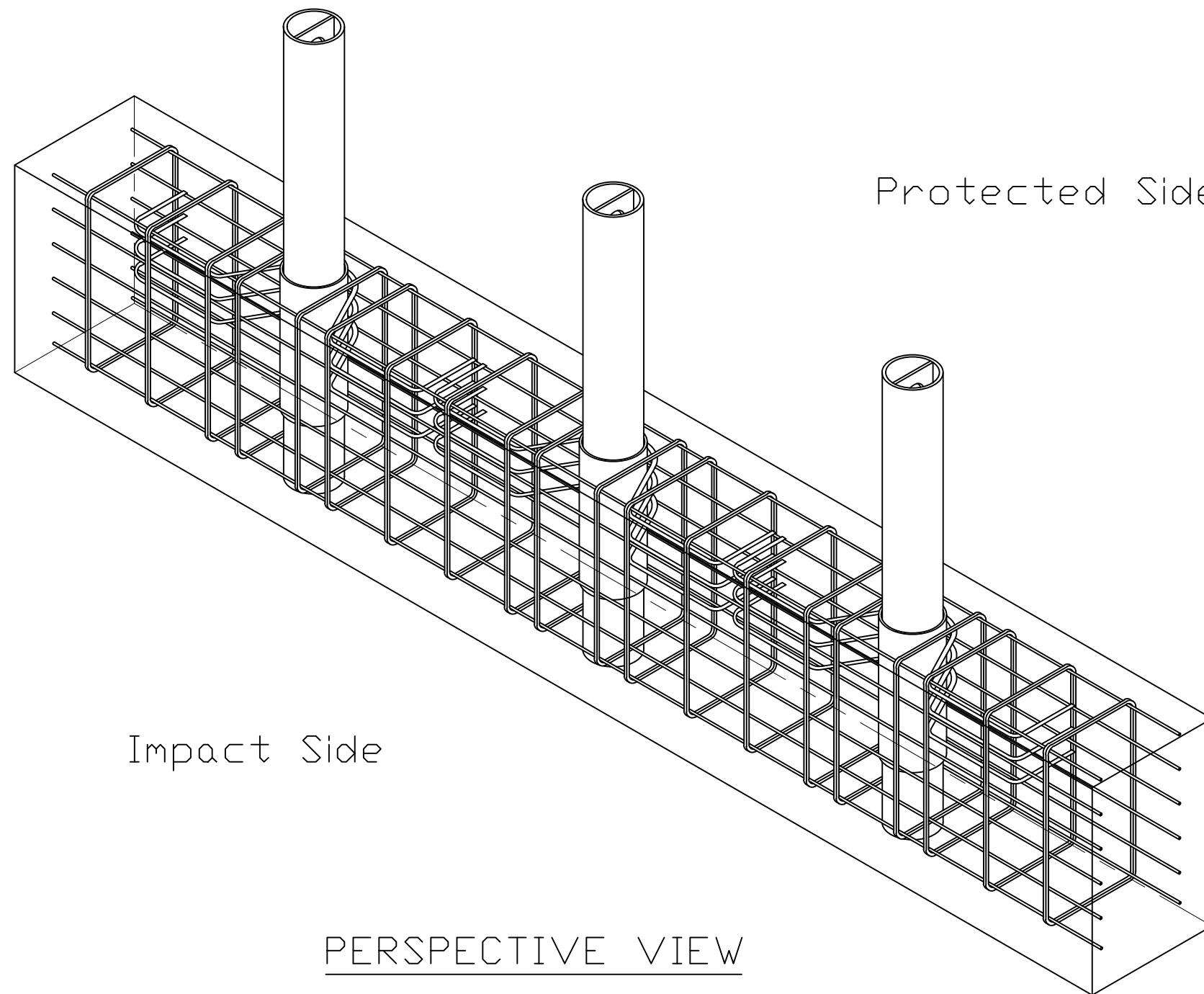


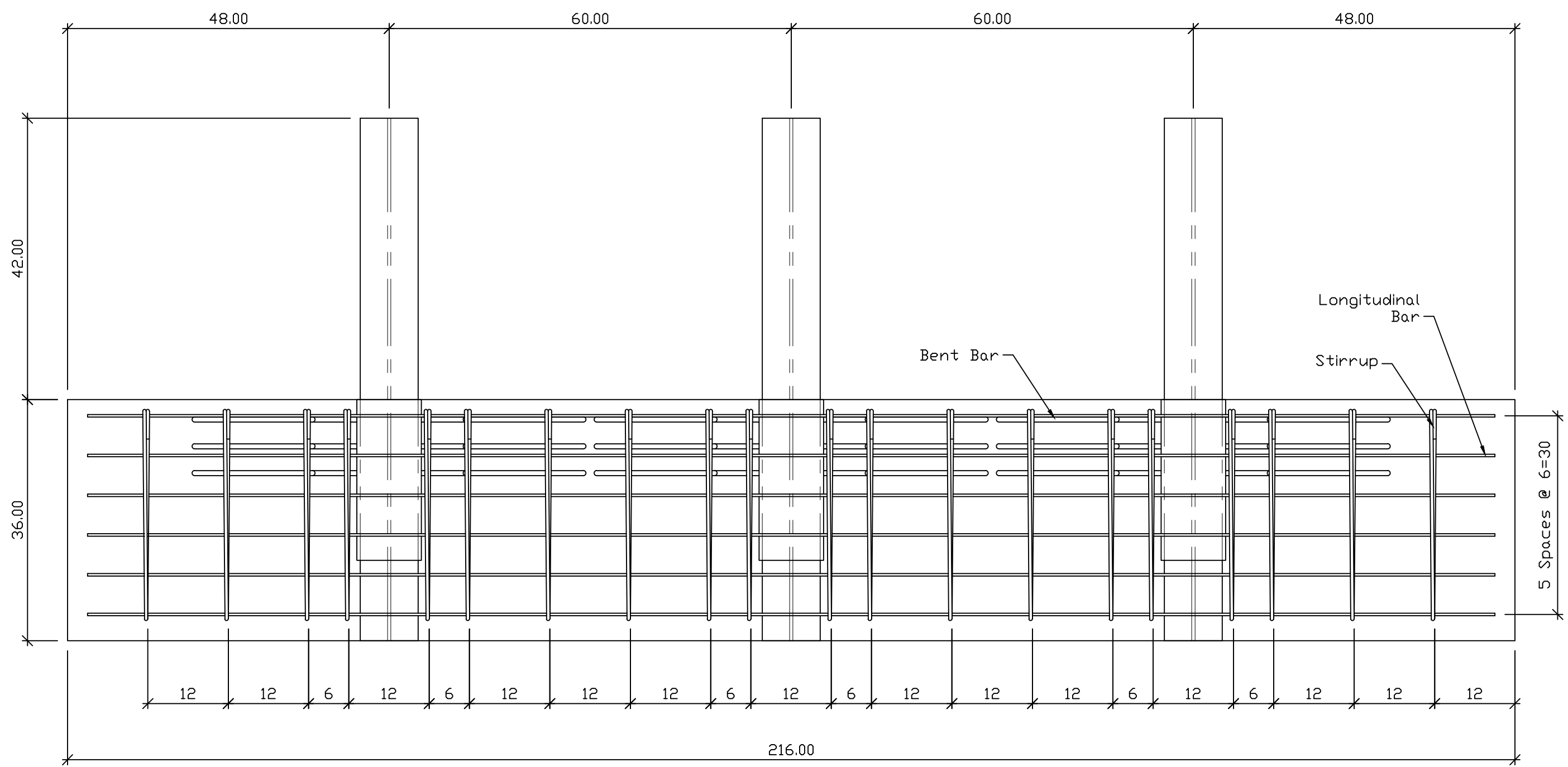
REVISIONS			
LTR	DESCRIPTION	DATE	APPVD



PERSPECTIVE VIEW

SERIES NUMBER:	CUSTOM	CAGE CODE	SIZE	DRAWING NUMBER:	CUSTOM REMOVABLE. 42
PRODUCT FAMILY:	REMOVABLE BOLLARD	DRAWN BY:	MJW	DRAWING REV:	
PRODUCT CLASS:		CHECKED BY:		SHEET:	1 OF 4
PRODUCT LINE:	BOLLARD	APPROVED BY:		RELEASE DATE:	
PRODUCT SUB LINE:		TITLE:			
1-800-BOLLARDS, Inc. 23392 Madero Road, Suite L Mission Viejo, CA. 92691-2737 PHONE: 1-800-BOLLARDS WEB: WWW.1800BOLLARDS.COM EMAIL: INFO@1800BOLLARDS.COM				REMOVABLE BOLLARD	

REVISIONS			
LTR	DESCRIPTION	DATE	APPVD

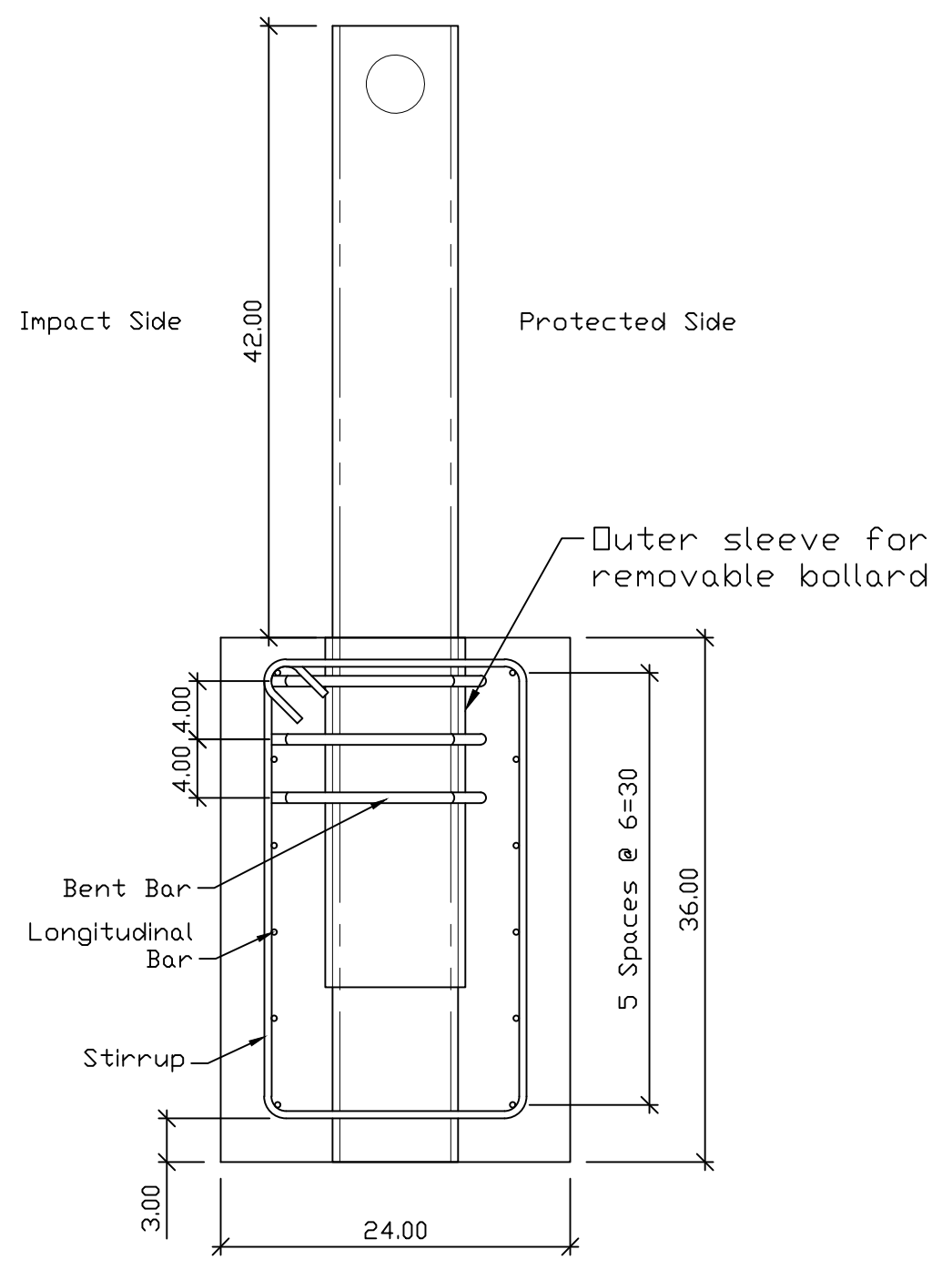


FRONT VIEW

1.All rebar is ASTM A615 Grade 60.  
 2.Concrete for grade beam foundation is 4,000 PSI minimum unconfined compressive strength

SERIES NUMBER:	CUSTOM	CAGE CODE	SIZE	DRAWING NUMBER:
PRODUCT FAMILY:	REMOVABLE BOLLARD			CUSTOM REMOVABLE. 42
PRODUCT CLASS:		DRAWN BY:	MJW	DRAWING REV:
PRODUCT LINE:	BOLLARD	CHECKED BY:		SHEET: 2 OF 4
PRODUCT SUB LINE:		APPROVED BY:		RELEASE DATE:
1-800-BOLLARDS, Inc. 23392 Madero Road, Suite L Mission Viejo, CA. 92691-2737 PHONE: 1-800-BOLLARDS WEB: WWW.1800BOLLARDS.COM EMAIL: INFO@1800BOLLARDS.COM				TITLE: <b>REMOVABLE BOLLARD</b>

REVISIONS			
LTR	DESCRIPTION	DATE	APPVD



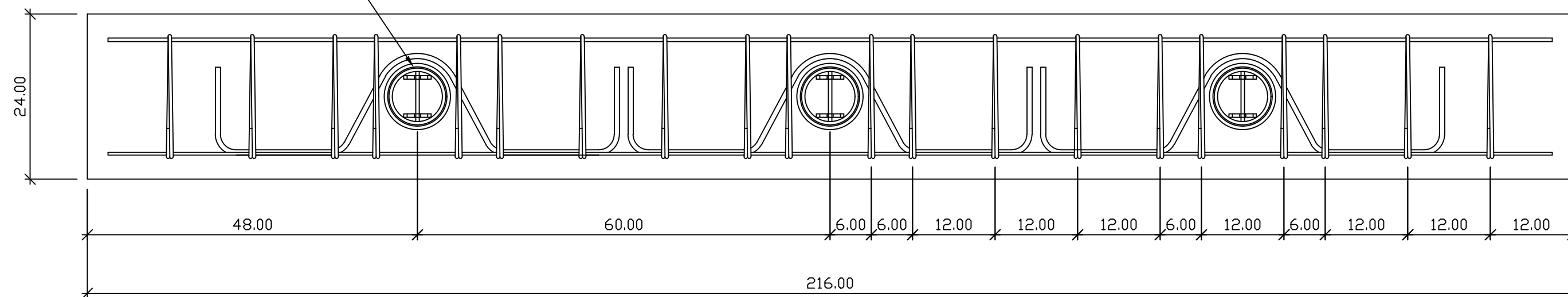
RIGHT VIEW

- 1.All rebar is ASTM A615 Grade 60.
- 2.Concrete for grade beam foundation is 4,000 PSI minimum unconfined compressive strength

SERIES NUMBER:	CUSTOM	CAGE CODE	SIZE	DRAWING NUMBER:
PRODUCT FAMILY:	REMOVABLE BOLLARD			CUSTOM REMOVABLE. 42
PRODUCT CLASS:		DRAWN BY:	MJW	DRAWING REV:
PRODUCT LINE:	BOLLARD	CHECKED BY:		SHEET: 3 OF 4
PRODUCT SUB LINE:		APPROVED BY:		RELEASE DATE:
1-800-BOLLARDS, Inc. 23392 Madero Road, Suite L Mission Viejo, CA. 92691-2737 PHONE: 1-800-BOLLARDS WEB: WWW.1800BOLLARDS.COM EMAIL: INFO@1800BOLLARDS.COM				TITLE: REMOVABLE BOLLARD

REVISIONS			
LTR	DESCRIPTION	DATE	APPVD

Outer sleeve for removable bollard



TOP VIEW

- 1.All rebar is ASTM A615 Grade 60.
- 2.Concrete for grade beam foundation is 4,000 PSI minimum unconfined compressive strength

SERIES NUMBER:	CUSTOM	CAGE CODE	SIZE	DRAWING NUMBER:
PRODUCT FAMILY:	REMOVABLE BOLLARD			CUSTOM REMOVABLE. 42
PRODUCT CLASS:		DRAWN BY:	MJW	DRAWING REV:
PRODUCT LINE:	BOLLARD	CHECKED BY:		SHEET: 4 OF 4
PRODUCT SUB LINE:		APPROVED BY:		RELEASE DATE:
1-800-BOLLARDS, Inc. 23392 Madero Road, Suite L Mission Viejo, CA. 92691-2737 PHONE: 1-800-BOLLARDS WEB: WWW.1800BOLLARDS.COM EMAIL: INFO@1800BOLLARDS.COM				TITLE:
				REMOVABLE BOLLARD