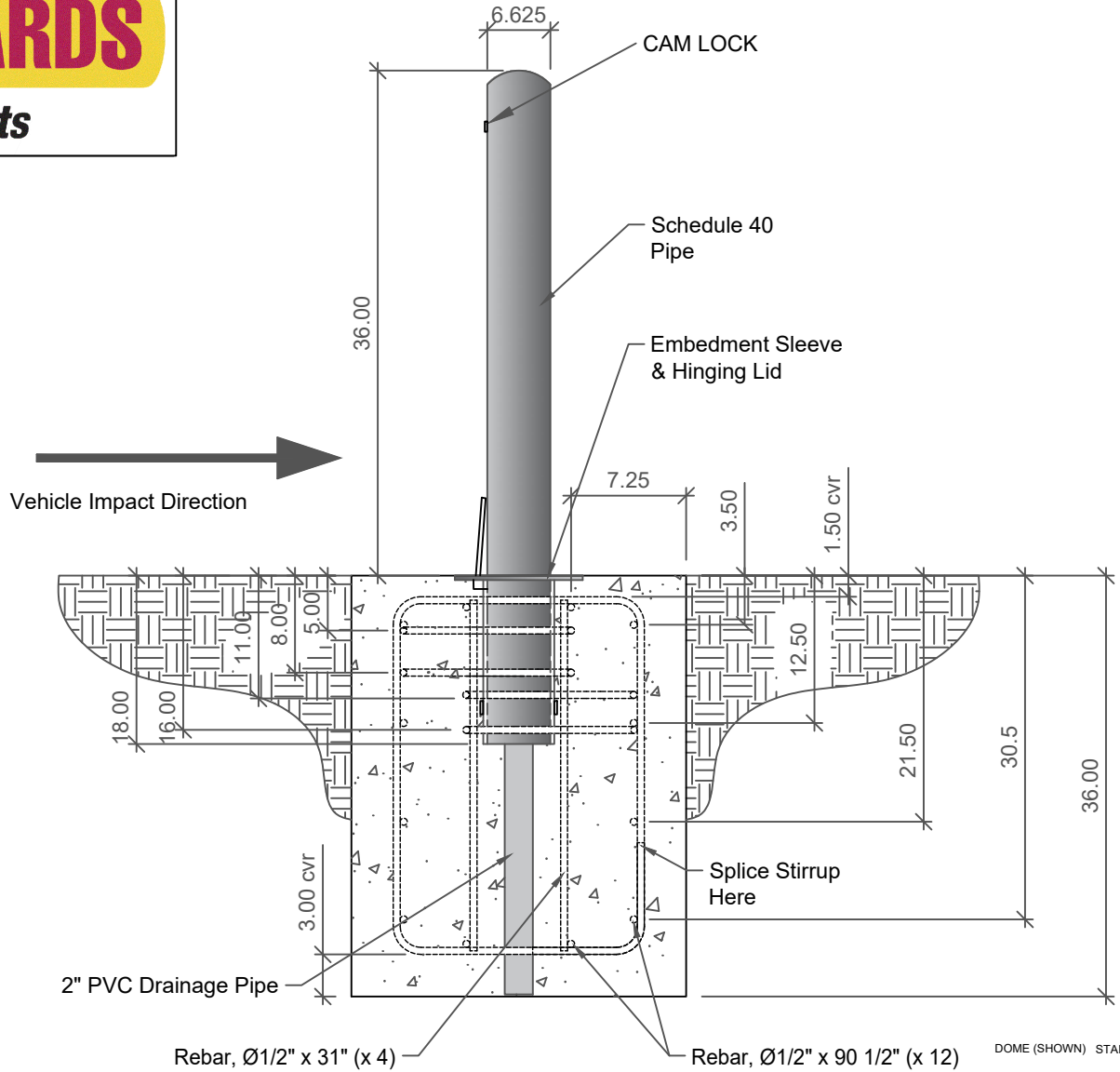


1-800-BOLLARDS

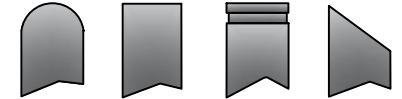
The Bollard Experts

- SELECT DESIRED MATERIAL:
(6" NOMINAL SIZE)
- RCST06040 SCH 40 STAINLESS STEEL
 - RCST06040 SCH 40 ASTM A-53 CARBON STEEL
- SELECT DESIRED STAINLESS STEEL BOLLARD FINISH:
- POLISHED #4 FINISH
 - AS SPECIFIED _____
- SELECT DESIRED CARBON STEEL BOLLARD FINISH:
- POWDER COAT RAL # _____
 - AS SPECIFIED _____
- SELECT DESIRED STAINLESS STEEL BOLLARD MATERIAL:
- TYPE 304
 - TYPE 316
- SELECT DESIRED BOLLARD CAP STYLE:
- DOME (SHOWN)
 - STANDARD FLAT
 - REVEAL
 - SLOPED



REVISIONS			
LTR	DESCRIPTION	DATE	APPVD
COMMENTS			
SPECIFICATIONS			
HEIGHT: 36"			
DIAMETER: 6.625"			
WALL THICKNESS: 0.280"			

DOME (SHOWN) STANDARD FLAT REVEAL SLOPED



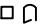
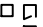


END VIEW-FOUNDATION

NOTES:
 1. INSTALLATION TO BE COMPLETED IN ACCORDANCE WITH MANUFACTURER'S SPECIFICATIONS.
 2. DO NOT SCALE DRAWING.
 3. THIS DRAWING IS INTENDED FOR USE BY ARCHITECTS, ENGINEERS, CONTRACTORS, CONSULTANTS AND DESIGN PROFESSIONALS FOR PLANNING PURPOSES ONLY. THIS DRAWING
 4. ALL INFORMATION CONTAINED HEREIN WAS CURRENT AT THE TIME OF DEVELOPMENT BUT MUST BE REVIEWED AND APPROVED BY THE PRODUCT MANUFACTURER TO BE CONSIDERED ACCURATE.

SERIES NUMBER: XX-S060-XX PRODUCT FAMILY: 20 MPH CRASH TESTED PRODUCT CLASS: STANDARD OR CUSTOMER DEFINED PRODUCT LINE: BOLLARD PRODUCT SUB LINE: REMOVABLE		DWG CODE: 6NGJB DRAWN BY: AJA CHECKED BY: APPROVED BY:	REV: DRAWING NUMBER: 6" CT REMOVABLE DRAWING REV: SHEET: 1 OF 1 RELEASE DATE:
APPLICATION NEXT ASSY USED ON		1-800-BOLLARDS, Inc. 10 Hughes Suite A105 Irvine, CA 92618 PHONE: 1-800-BOLLARDS WEB: www.1800BOLLARDS.COM EMAIL: INFO@1800BOLLARDS.COM	
		TITLE BOLLARD, CT REMOVABLE	

1-800-BOLLARDS

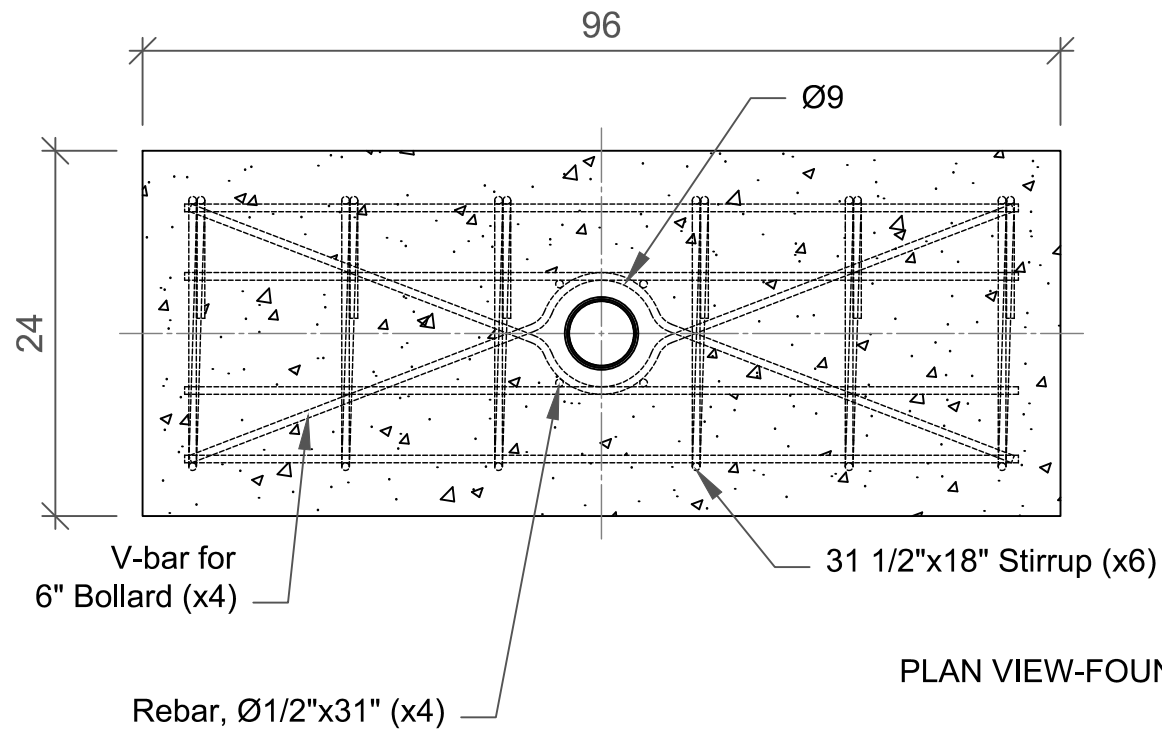
The Bollard Experts

- SELECT DESIRED MATERIAL:
(6" NOMINAL SIZE)
 - RCST06040 SCH 40 STAINLESS STEEL
 - RCST06040 SCH 40 ASTM A-53 CARBON STEEL
- SELECT DESIRED STAINLESS STEEL BOLLARD FINISH:
 - POLISHED #4 FINISH
 - AS SPECIFIED _____
- SELECT DESIRED CARBON STEEL BOLLARD FINISH:
 - POWDER COAT RAL # _____
 - AS SPECIFIED _____
- SELECT DESIRED STAINLESS STEEL BOLLARD MATERIAL:
 - TYPE 304
 - TYPE 316
- SELECT DESIRED BOLLARD CAP STYLE:
 -  DOME (SHOWN)
 -  STANDARD FLAT
 -  REVEAL
 -  SLOPED

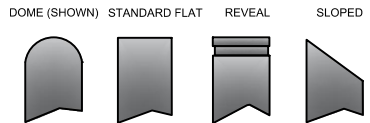
REVISIONS			
LTR	DESCRIPTION	DATE	APP

SPECIFICATIONS

HEIGHT: 36"
 DIAMETER: 6.625"
 WALL THICKNESS: 0.280"



PLAN VIEW-FOUNDATION



NOTES:
 1. INSTALLATION TO BE COMPLETED IN ACCORDANCE WITH MANUFACTURER'S SPECIFICATIONS.
 2. DO NOT SCALE DRAWING.
 3. THIS DRAWING IS INTENDED FOR USE BY ARCHITECTS, ENGINEERS, CONTRACTORS, CONSULTANTS AND DESIGN PROFESSIONALS FOR PLANNING PURPOSES ONLY. THIS DRAWING
 4. ALL INFORMATION CONTAINED HEREIN WAS CURRENT AT THE TIME OF DEVELOPMENT BUT MUST BE REVIEWED AND APPROVED BY THE PRODUCT MANUFACTURER TO BE
 CONSIDERED ACCURATE.

APPLICATION		NEXT ASBY	USED IN

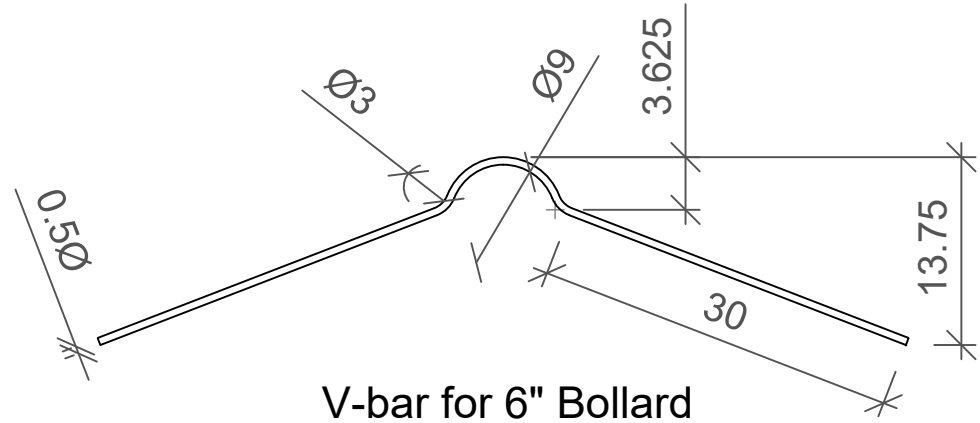
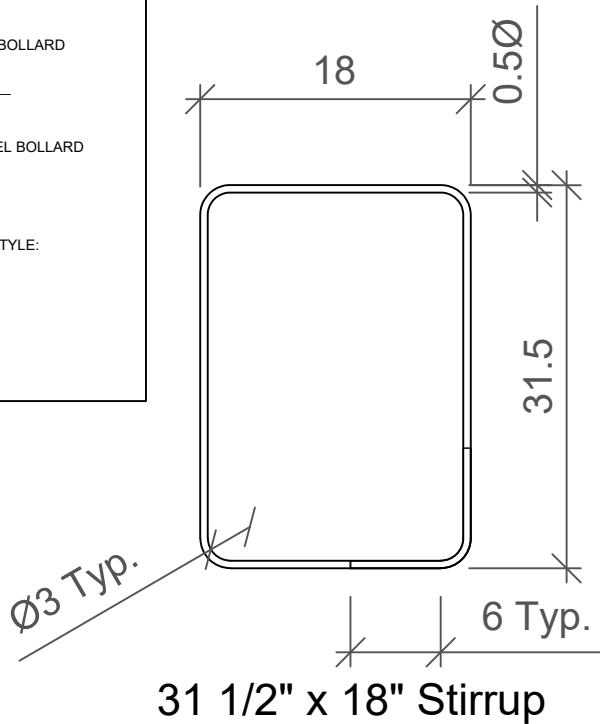
SERIES NUMBER: XX-S060-XX PRODUCT FAMILY: 20 MPH CRASH TESTED PRODUCT CLASS: STANDARD OR CUSTOMER DEFINED PRODUCT LINE: BOLLARD PRODUCT SUB LINE: REMOVABLE	CASE CODE: GNQJ8 DRAWN BY: AJA CHECKED BY: APPROVED BY:	SIZE: 6" CT REMOVABLE DRAWING NUMBER: SHEET 1 OF 1 RELEASE DATE:	TITLE: BOLLARD, CT REMOVABLE
--	--	---	--

1-800-BOLLARDS, Inc. 10 Hughes Suite 1100 Irvine, CA 92618 PHONE: 1-800-BOLLARDS WEB: WWW.1800BOLLARDS.COM EMAIL: INFO@1800BOLLARDS.COM	
--	--

1-800-BOLLARDS

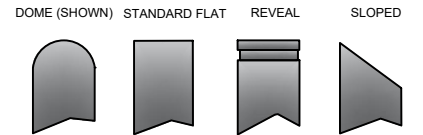
The Bollard Experts

- SELECT DESIRED MATERIAL:
(6" NOMINAL SIZE)
 - RCST06040 SCH 40 STAINLESS STEEL
 - RCST06040 SCH 40 ASTM A-53 CARBON STEEL
- SELECT DESIRED STAINLESS STEEL BOLLARD FINISH:
 - POLISHED #4 FINISH
 - AS SPECIFIED _____
- SELECT DESIRED CARBON STEEL BOLLARD FINISH:
 - POWDER COAT RAL # _____
 - AS SPECIFIED _____
- SELECT DESIRED STAINLESS STEEL BOLLARD MATERIAL:
 - TYPE 304
 - TYPE 316
- SELECT DESIRED BOLLARD CAP STYLE:
 - DOME (SHOWN)
 - STANDARD FLAT
 - REVEAL
 - SLOPED



REVISIONS			
LTR	DESCRIPTION	DATE	APPVD
COMMENTS			

SPECIFICATIONS
HEIGHT: 36"
DIAMETER: 6.625"
WALL THICKNESS: 0.280"



NOTES:
1. INSTALLATION TO BE COMPLETED IN ACCORDANCE WITH MANUFACTURER'S SPECIFICATIONS.
2. DO NOT SCALE DRAWING.
3. THIS DRAWING IS INTENDED FOR USE BY ARCHITECTS, ENGINEERS, CONTRACTORS, CONSULTANTS AND DESIGN PROFESSIONALS FOR PLANNING PURPOSES ONLY. THIS DRAWING AND ALL INFORMATION CONTAINED HEREIN WAS CURRENT AT THE TIME OF DEVELOPMENT BUT MUST BE REVIEWED AND APPROVED BY THE PRODUCT MANUFACTURER TO BE CONSIDERED ACCURATE.

<small>SERIES NUMBER:</small> XX-S060-XX	<small>CAGE CODE:</small> 6NGJ8	<small>SIZE:</small> 6" CT REMOVABLE	<small>DRAWING NUMBER:</small>
<small>PRODUCT FAMILY:</small> 20 MPH CRASH TESTED	<small>DRAWN BY:</small> AJA	<small>CHECKED BY:</small>	<small>DRAWING REV:</small>
<small>PRODUCT CLASS:</small> STANDARD OR CUSTOMER DEFINED	<small>PRODUCT LINE:</small> BOLLARD	<small>APPROVED BY:</small>	<small>SHEET 1 OF 1</small>
<small>PRODUCT SUB LINE:</small> REMOVABLE	<small>APPLICATION</small>		<small>TITLE:</small>
	<small>NEXT ASSY</small>	<small>USED ON</small>	1-800-BOLLARDS, Inc. 10 Hughes Sutter AL05 Irvine, CA 92618 PHONE: 1-800-BOLLARDS WEB: WWW.1800BOLLARDS.COM EMAIL: INFO@1800BOLLARDS.COM
			BOLLARD, CT REMOVABLE