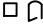
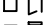
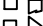
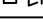
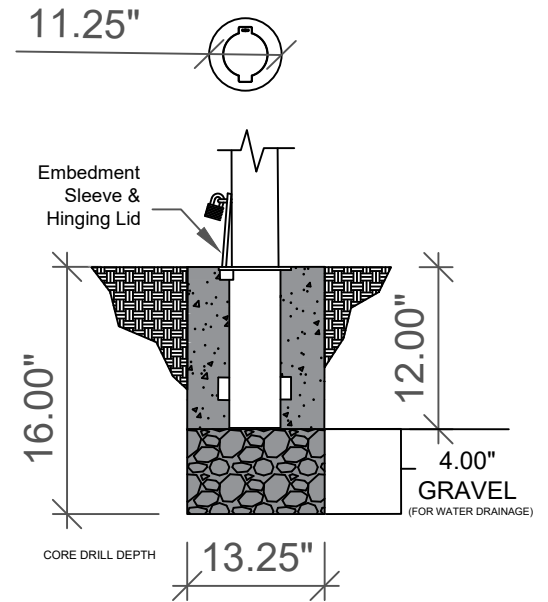
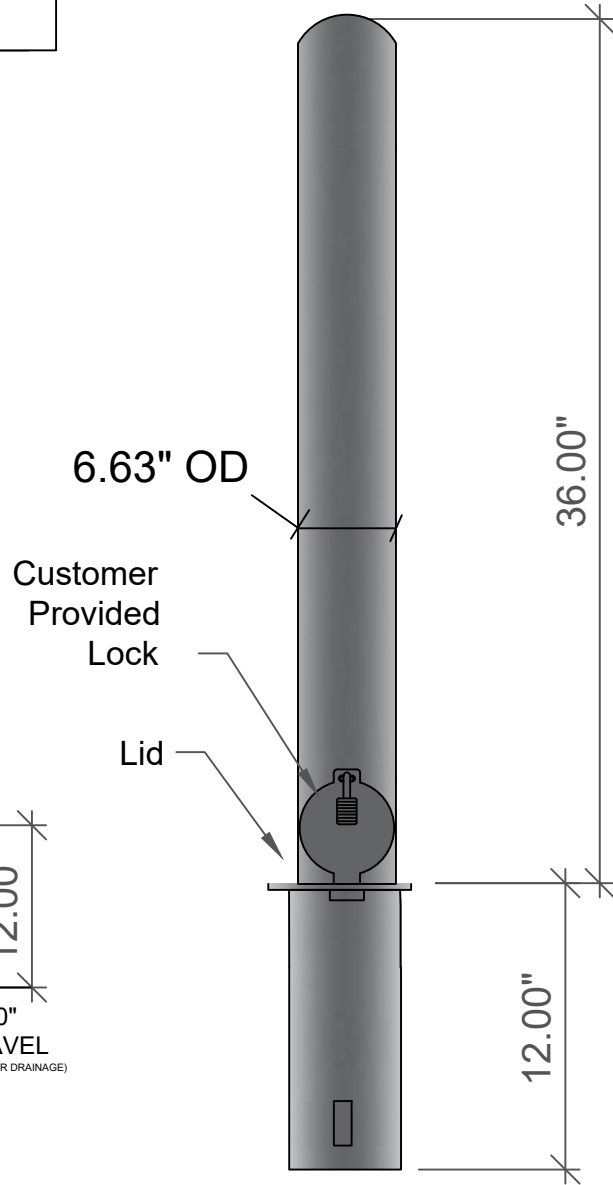
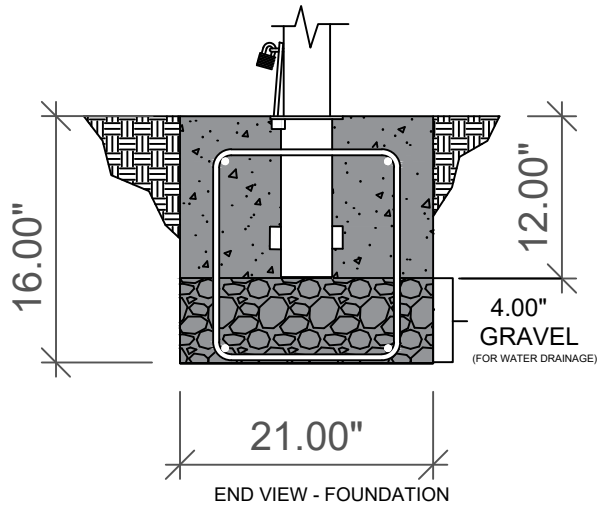


1-800-BOLLARDS

The Bollard Experts

- SELECT DESIRED MATERIAL:
(6" NOMINAL SIZE)
 - RPSS06000 SCH 10 STAINLESS STEEL
 - RPSS06040 SCH 40 STAINLESS STEEL
 - RPSS06080 SCH 80 STAINLESS STEEL
 - RPCS06040 SCH 40 ASTM A-53 CARBON STEEL
 - RPCS06080 SCH 80 ASTM A-53 CARBON STEEL
- SELECT DESIRED STAINLESS STEEL BOLLARD FINISH:
 - POLISHED #4 FINISH
 - AS SPECIFIED _____
- SELECT DESIRED CARBON STEEL BOLLARD FINISH:
 - POWDER COAT RAL # _____
 - AS SPECIFIED _____
- SELECT DESIRED STAINLESS STEEL BOLLARD MATERIAL:
 - TYPE 304
 - TYPE 316
- SELECT DESIRED BOLLARD CAP STYLE:
 -  DOME (SHOWN)
 -  STANDARD FLAT
 -  REVEAL
 -  SLOPED



DOME (SHOWN) STANDARD FLAT REVEAL SLOPED



REVISIONS			
LTR	DESCRIPTION	DATE	APPVD
COMMENTS			
SPECIFICATIONS			
HEIGHT: 36"			
DIAMETER: 6.63"			
WALL THICKNESS: 0.280" SCHED 40			

SERIES NUMBER: YX-S060-XX	CAGE CODE: 6NGJB	REV: 6th	DRAWING NUMBER: 6th Cutsheet Size A - R1
PRODUCT FAMILY: FIXED BOLLARD	DRAWN BY: AJA	CHECKED BY:	DRAWING REV:
PRODUCT CLASS: STANDARD OR CUSTOMER DEFINED	PRODUCT LINE: BOLLARD	APPROVED BY:	SHEET: 1 OF 1
PRODUCT SUB LINE: PADLOCK REMOVABLE	1-800-BOLLARDS, Inc.	TITLE: BOLLARD, PADLOCK REMOVABLE	
NEXT ASSY		USED ON	
10 Hughes Suite A105		Irvine, CA 92618	
PHONE: 1-800-BOLLARDS		WEB: WWW.1800BOLLARDS.COM	
EMAIL: INFO@1800BOLLARDS.COM			

1. INSTALLATION TO BE COMPLETED IN ACCORDANCE WITH MANUFACTURER'S SPECIFICATIONS.
 2. DO NOT SCALE DRAWING.
 3. THIS DRAWING IS INTENDED FOR USE BY ARCHITECTS, ENGINEERS, CONTRACTORS, CONSULTANTS AND DESIGN PROFESSIONALS FOR PLANNING PURPOSES ONLY. THIS DRAWING
 4. ALL INFORMATION CONTAINED HEREIN WAS CURRENT AT THE TIME OF DEVELOPMENT BUT MUST BE REVIEWED AND APPROVED BY THE PRODUCT MANUFACTURER TO BE CONSIDERED ACCURATE.