

1-800-BOLLARDS

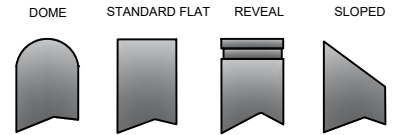
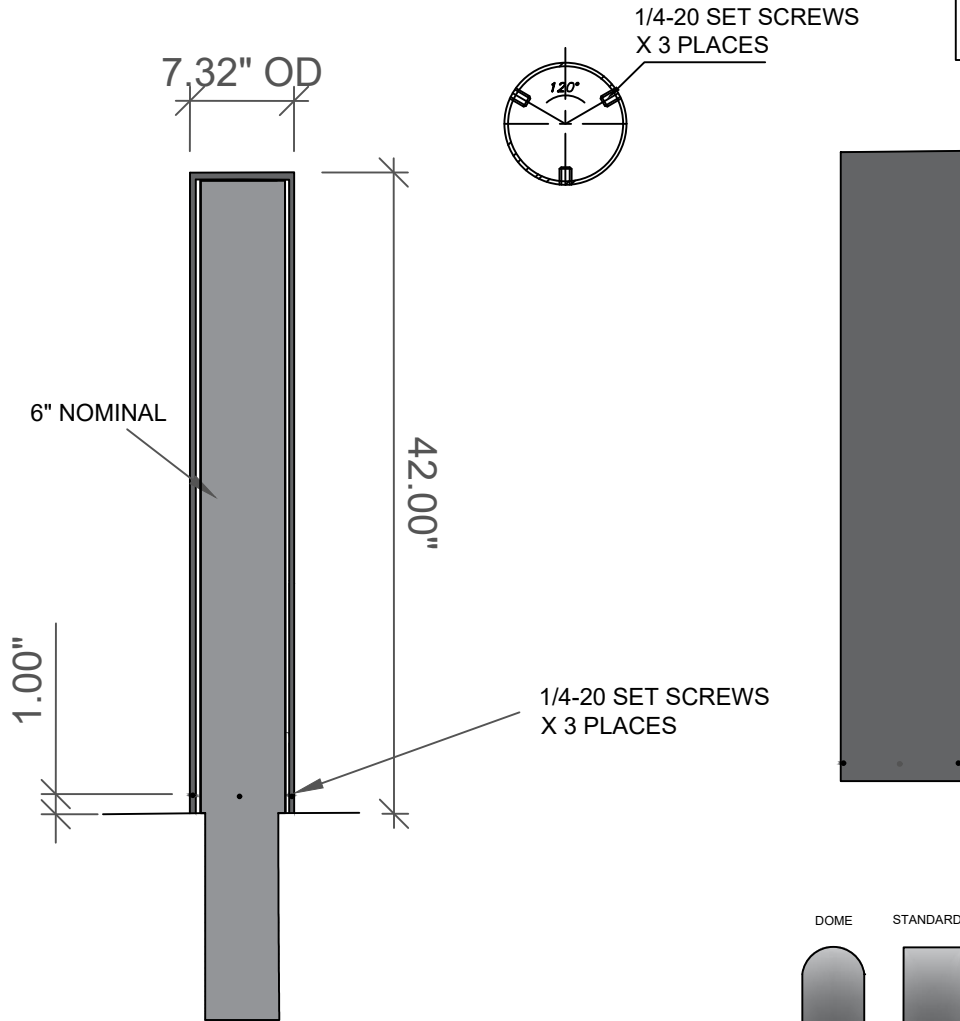
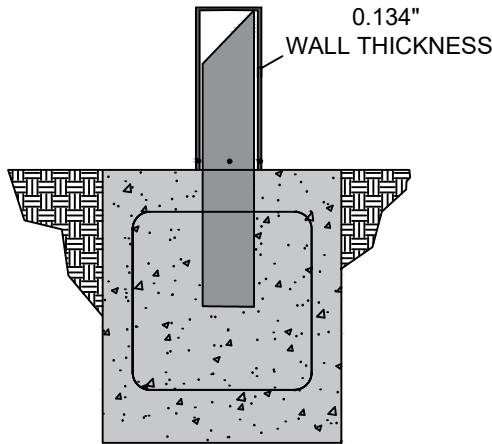
The Bollard Experts

- 7" BOLLARD COVER
(6" NOMINAL BOLLARD SIZE)
- CSS7010 SCHED 10 STAINLESS STEEL COVER
- STAINLESS STEEL BOLLARD COVER FINISH
- POLISHED #4
- SELECT DESIRED STAINLESS STEEL BOLLARD MATERIAL:
- TYPE 304
- TYPE 316
- SELECT DESIRED BOLLARD CAP STYLE:
- DOME
- STANDARD FLAT
- REVEAL
- SLOPED
- COVER HEIGHT SELECTION FROM:
- BASE OF BOLLARD
- TOP OF BOLLARD _____ INCHES

REVISIONS			
LTR	DESCRIPTION	DATE	APPVD

COMMENTS

SPECIFICATIONS
HEIGHT: 42"
DIAMETER: 7.32"
WALL THICKNESS: 0.134"



NOTES:
1. INSTALLATION TO BE COMPLETED IN ACCORDANCE WITH MANUFACTURER'S SPECIFICATIONS.
2. DO NOT SCALE DRAWING.
3. THIS DRAWING IS INTENDED FOR USE BY ARCHITECTS, ENGINEERS, CONTRACTORS, CONSULTANTS AND DESIGN PROFESSIONALS FOR PLANNING PURPOSES ONLY. THIS DRAWING
4. ALL INFORMATION CONTAINED HEREIN WAS CURRENT AT THE TIME OF DEVELOPMENT BUT MUST BE REVIEWED AND APPROVED BY THE PRODUCT MANUFACTURER TO BE CONSIDERED ACCURATE.

APPLICATION	
NEXT ASSY	USED ON

SERIES NUMBER: XX-S060-XX	CAGE CODE: 6NGJB	REV: 	DRAWING NUMBER: 6in Cutsheet Size A - R1
PRODUCT FAMILY: FIXED BOLLARD	DRAWN BY: AJA	CHECKED BY: 	DRAWING REV:
PRODUCT CLASS: STANDARD OR CUSTOMER DEFINED	PRODUCT LINE: BOLLARD	PRODUCT SUB LINE: COVER	SHEET: 1 OF 1
1-800-BOLLARDS, Inc. 10 Hughes Suite A105 Irvine, CA 92618 PHONE: 1-800-BOLLARDS WEB: WWW.1800BOLLARDS.COM EMAIL: INFO@1800BOLLARDS.COM		APPROVED BY: RELEASE DATE: 	
BOLLARD, COVER			