
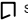

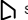
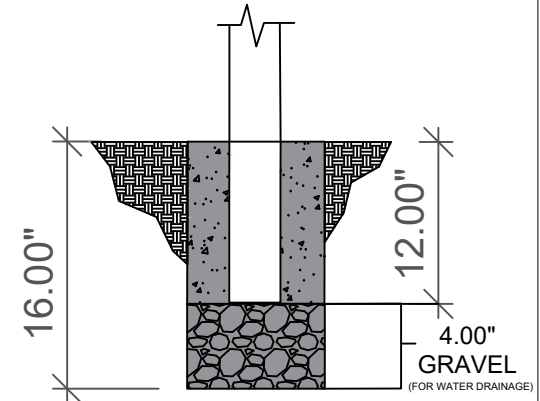
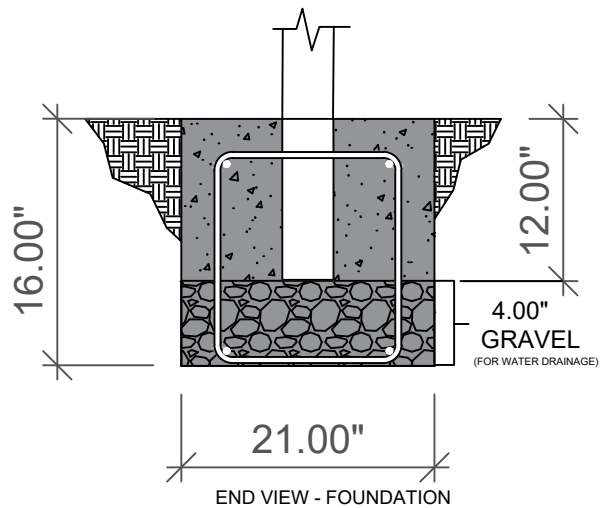
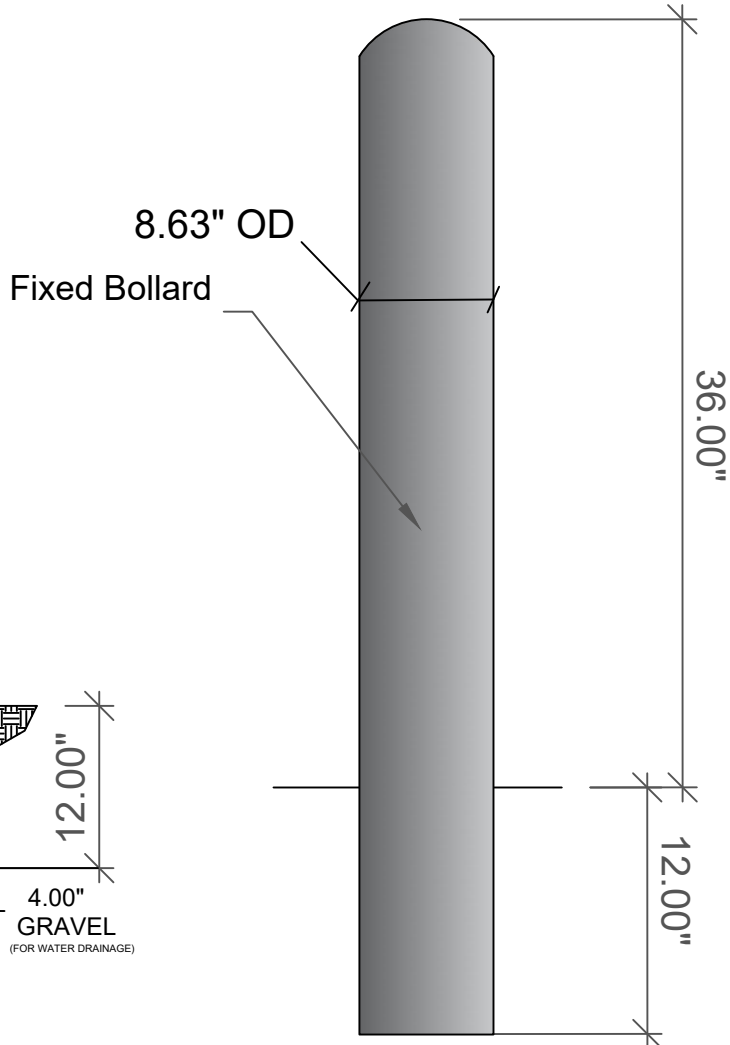


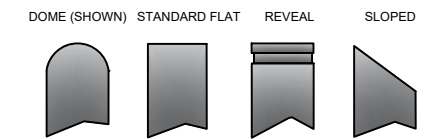
# 1-800-BOLLARDS

## The Bollard Experts

- SELECT DESIRED MATERIAL:  
(8" NOMINAL SIZE)
  - FSS08000 SCH 10 STAINLESS STEEL
  - FSS08040 SCH 40 STAINLESS STEEL
  - FSS08080 SCH 80 STAINLESS STEEL
  - FCS08040 SCH 40 ASTM A-53 CARBON STEEL
  - FCS08080 SCH 80 ASTM A-53 CARBON STEEL
- SELECT DESIRED STAINLESS STEEL BOLLARD FINISH:
  - POLISHED #4 FINISH
  - AS SPECIFIED \_\_\_\_\_
- SELECT DESIRED CARBON STEEL BOLLARD FINISH:
  - POWDER COAT RAL # \_\_\_\_\_
  - AS SPECIFIED \_\_\_\_\_
- SELECT DESIRED STAINLESS STEEL BOLLARD MATERIAL:
  - TYPE 304
  - TYPE 316
- SELECT DESIRED BOLLARD CAP STYLE:
  -  DOME (SHOWN)
  -  STANDARD FLAT
  -  REVEAL
  -  SLOPED



CORE DRILL MINIMUM DIAMETER



REVISIONS			
LTR	DESCRIPTION	DATE	APPVD
COMMENTS			
SPECIFICATIONS			
HEIGHT: 36"			
DIAMETER: 8.63"			
WALL THICKNESS: 0.280" SCHED 40			

SERIES NUMBER: XX-S060-XX	CAGE CODE: 6NGJ8	REV: 6th	DRAWING NUMBER: 6th Cutsheet Size A - R1
PRODUCT FAMILY: FIXED BOLLARD	DRAWN BY: AJA	DRAWING REV:	
PRODUCT CLASS: STANDARD OR CUSTOMER DEFINED	CHECKED BY:	SHEET: 1 OF 1	
PRODUCT LINE: BOLLARD	APPROVED BY:	RELEASE DATE:	
PRODUCT SUB LINE: FIXED	TITLE:		

APPLICATION	
NEXT ASSY	USED ON

**BOLLARD, FIXED**

**NOTES:**

- INSTALLATION TO BE COMPLETED IN ACCORDANCE WITH MANUFACTURER'S SPECIFICATIONS.
- DO NOT SCALE DRAWING.
- THIS DRAWING IS INTENDED FOR USE BY ARCHITECTS, ENGINEERS, CONTRACTORS, CONSULTANTS AND DESIGN PROFESSIONALS FOR PLANNING PURPOSES ONLY. THIS DRAWING IS NOT TO BE USED FOR CONSTRUCTION.
- ALL INFORMATION CONTAINED HEREIN WAS CURRENT AT THE TIME OF DEVELOPMENT BUT MUST BE REVIEWED AND APPROVED BY THE PRODUCT MANUFACTURER TO BE CONSIDERED ACCURATE.