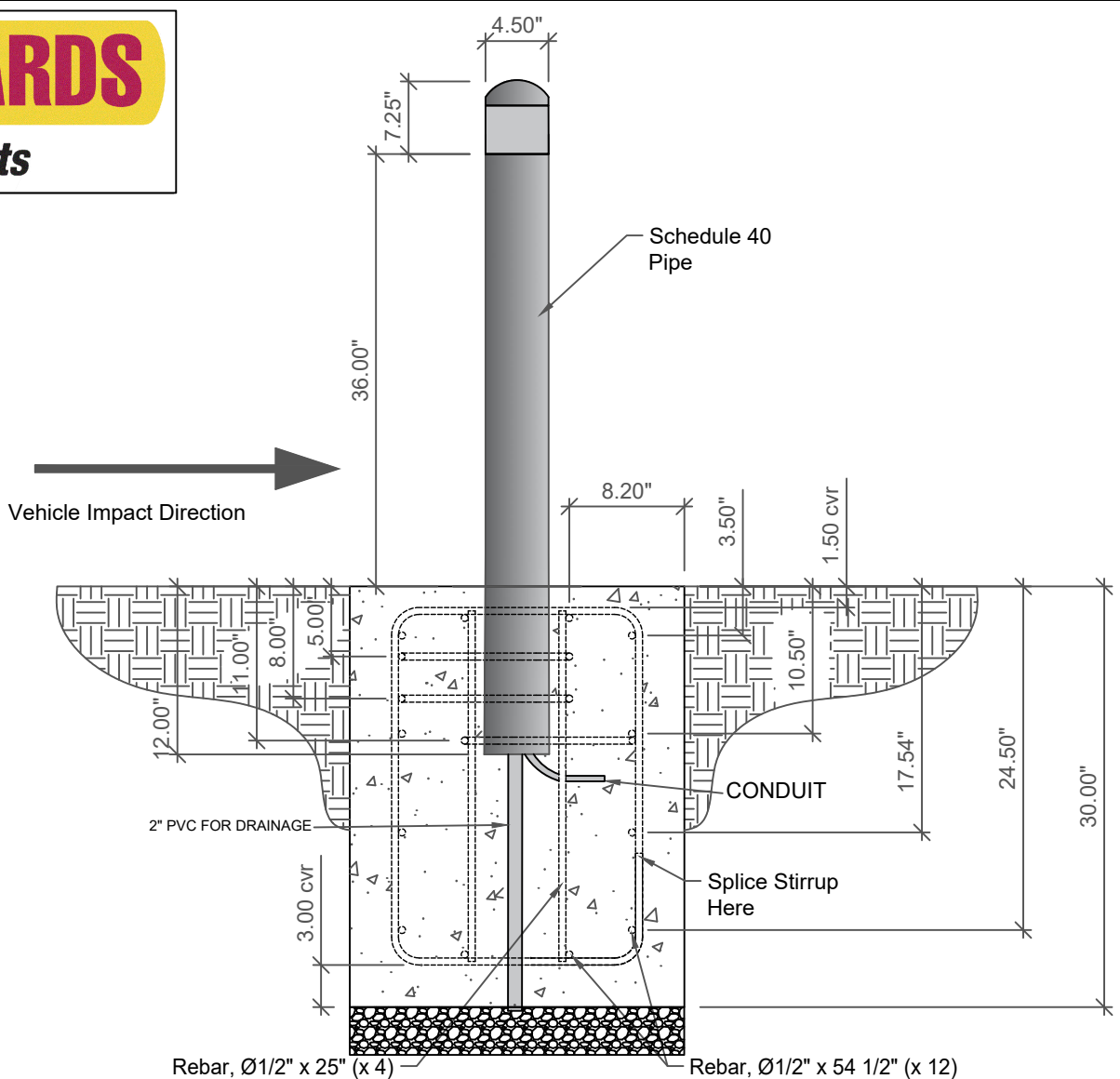
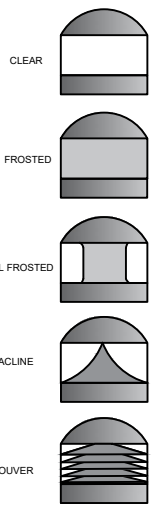


# 1-800-BOLLARDS

**The Bollard Experts**

- SELECT DESIRED MATERIAL:  
(4" NOMINAL SIZE)
  - FCST4040 SCH 40 STAINLESS STEEL
  - FCST4040 SCH 40 ASTM A-53 CARBON STEEL
- SELECT DESIRED STAINLESS STEEL BOLLARD FINISH:
  - POLISHED #4 FINISH
  - AS SPECIFIED \_\_\_\_\_
- SELECT DESIRED CARBON STEEL BOLLARD FINISH:
  - POWDER COAT RAL # \_\_\_\_\_
  - AS SPECIFIED \_\_\_\_\_
- SELECT DESIRED STAINLESS STEEL BOLLARD MATERIAL:
  - TYPE 304
  - TYPE 316
- SELECT DESIRED BOLLARD CAP STYLE:
  - DOME (SHOWN)
  - STANDARD FLAT
  - SLOPED
- LENS SELECTION
  - CLEAR
  - FROSTED
  - INTERNAL FROSTED
  - PARACLINE SILVER
  - PARACLINE WHITE
  - LOUVER GREY
  - LOUVER WHITE
- WATTAGE
  - 5W 16LEDS 100mA
  - 8W 16LEDS 175mA
  - 12W 16LEDS 250mA
- CCT
  - COOL
  - NEUTRAL
  - WARM
- VOLTAGE
  - 120-277VAC
  - 120V



**END VIEW-FOUNDATION**

DOME (SHOWN) STANDARD FLAT SLOPED



REVISIONS			
LTR	DESCRIPTION	DATE	APPVD
COMMENTS			
SPECIFICATIONS			
HEIGHT: 36"			
DIAMETER: 4.50"			
WALL THICKNESS: 0.280"			

NOTES:  
 1. ALL DIMENSIONS TO BE OBTAINED IN ACCORDANCE WITH MANUFACTURER'S SPECIFICATIONS.  
 2. DO NOT SCALE DRAWING.  
 3. THIS DRAWING IS INTENDED FOR USE BY ARCHITECTS, ENGINEERS, CONTRACTORS, OTHER TRADES AND DESIGN PROFESSIONALS FOR PLANNING PURPOSES ONLY. THIS DRAWING  
 4. ALL INFORMATION CONTAINED HEREIN WAS CURRENT AT THE TIME OF DEVELOPMENT BUT MUST BE REVIEWED AND APPROVED BY THE PRODUCT MANUFACTURER TO BE  
 CONSIDERED ACCURATE.

APPLICATION		1-800-BOLLARDS, Inc.	
NEXT ASSY	USED ON	10 Hughes Suite A105	Irvine, CA 92618
		PHONE: 1-800-BOLLARDS	WWW.1800BOLLARDS.COM
		EMAIL: INFO@1800BOLLARDS.COM	

SERIES NUMBER:	CAGE CODE:	REV:	DRAWING NUMBER:
XX-S060-XX	6NGJ8		4" CT FIXED
PRODUCT FAMILY:	STANDARD OR CUSTOMER DEFINED	DRAWN BY:	AJA
PRODUCT CLASS:	BOLLARD	CHECKED BY:	
PRODUCT LINE:	FIXED	APPROVED BY:	
PRODUCT SUB LINE:		RELEASE DATE:	

TITLE	
BOLLARD, CT FIXED	

# 1-800-BOLLARDS

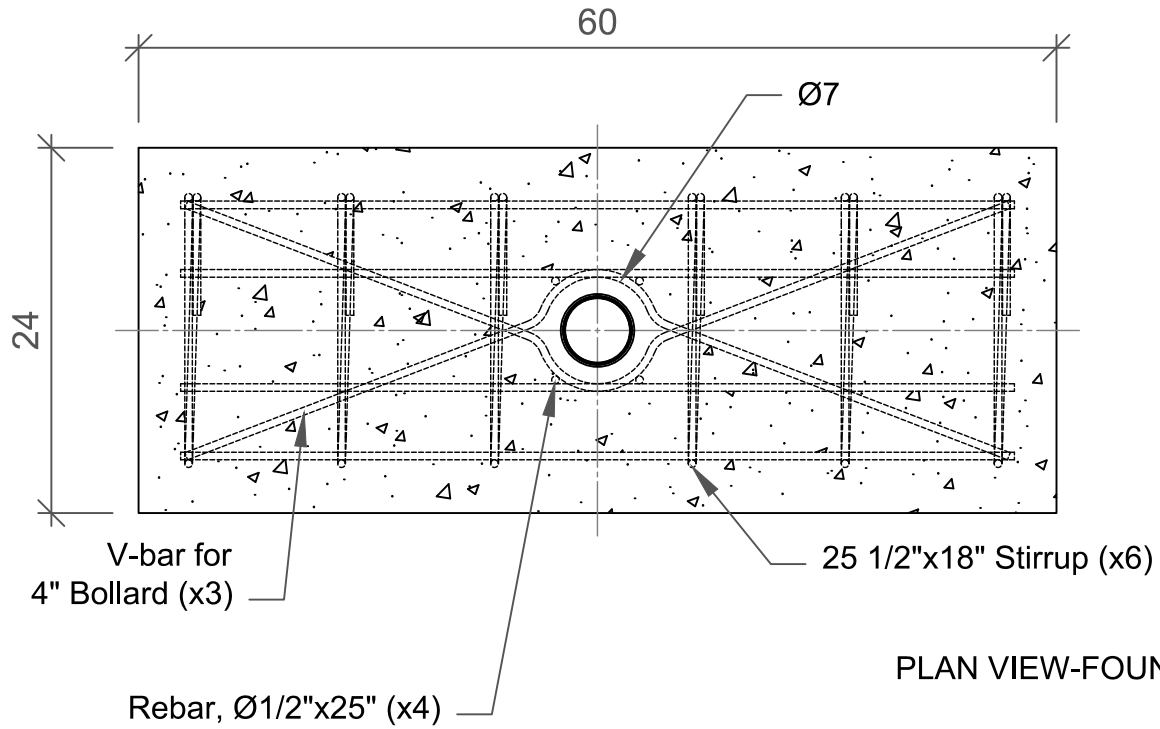
The Bollard Experts

REVISIONS			
LTR	DESCRIPTION	DATE	APP

COMMENTS

**SPECIFICATIONS**  
 HEIGHT: 36"  
 DIAMETER: 4.50"  
 WALL THICKNESS: 0.280"

- SELECT DESIRED MATERIAL: (4" NOMINAL SIZE)
  - FCSCCT4040 SCH 40 STAINLESS STEEL
  - FCSCCT4040 SCH 40 ASTM A-53 CARBON STEEL
- SELECT DESIRED STAINLESS STEEL BOLLARD FINISH:
  - POLISHED #4 FINISH
  - AS SPECIFIED \_\_\_\_\_
- SELECT DESIRED CARBON STEEL BOLLARD FINISH:
  - POWDER COAT RAL # \_\_\_\_\_
  - AS SPECIFIED \_\_\_\_\_
- SELECT DESIRED STAINLESS STEEL BOLLARD MATERIAL:
  - TYPE 304
  - TYPE 316
- SELECT DESIRED BOLLARD CAP STYLE:
  - DOME (SHOWN)
  - STANDARD FLAT
  - SLOPED
- LENS SELECTION
  - CLEAR
  - FROSTED
  - INTERNAL FROSTED
  - PARACLINE SILVER
  - PARACLINE WHITE
  - LOUVER GREY
  - LOUVER WHITE
- WATTAGE
  - 5W 16LEDS 100mA
  - 8W 16LEDS 175mA
  - 12W 16LEDS 250mA
- CCT
  - C COOL
  - N NEUTRAL
  - W WARM
- VOLTAGE
  - A 120-277VAC
  - E 120V



PLAN VIEW-FOUNDATION

DOME (SHOWN) STANDARD FLAT SLOPED



<b>SERIES NUMBER</b> XX-S060-XX	<b>SIZE CODE</b> 6NQU8	<b>USE</b> 4' CT REMOVABLE
<b>PRODUCT FAMILY</b> 10 MPH CRASH TESTED	<b>DRAWN BY</b> AJA	<b>DRAWING REV#</b>
<b>PRODUCT CLASS</b> STANDARD OR CUSTOMER DEFINED	<b>CHECKED BY</b>	<b>SHEET 1 OF 1</b>
<b>PRODUCT LIND</b> BOLLARD	<b>APPROVED BY</b>	<b>RELEASE DATE</b>
<b>PRODUCT SUB LIND</b> REMOVABLE	<b>TITLE:</b> BOLLARD, CT REMOVABLE	

APPLICATION	
NEXT ASBY	USED IN

1-800-BOLLARDS, Inc.  
 10 Hughes Suite 1100  
 Irwin, CA 95028  
 PHONE: 1-800-BOLLARDS  
 WEB: WWW.1800BOLLARDS.COM  
 EMAIL: INFO@1800BOLLARDS.COM

1. DRAWINGS TO BE COMPLETED IN ACCORDANCE WITH MANUFACTURER'S SPECIFICATIONS.  
 2. THE DRAWING IS THE PROPERTY OF 1-800-BOLLARDS, INC. AND IS NOT TO BE REPRODUCED OR TRANSMITTED IN ANY FORM OR BY ANY MEANS, ELECTRONIC OR MECHANICAL, WITHOUT THE WRITTEN PERMISSION OF 1-800-BOLLARDS, INC.

