



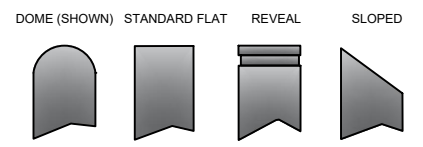
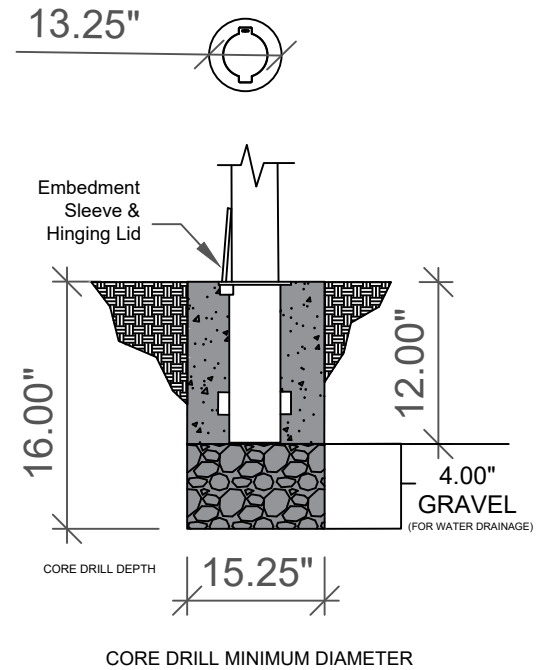
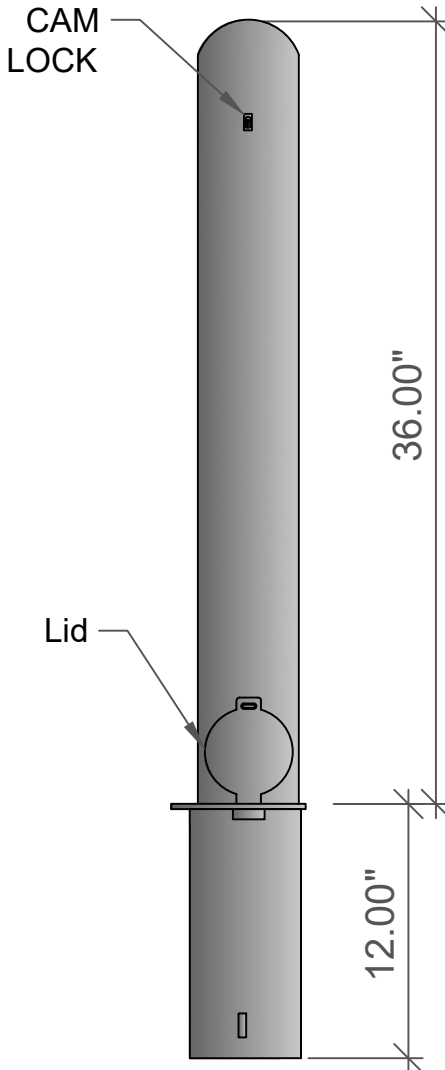
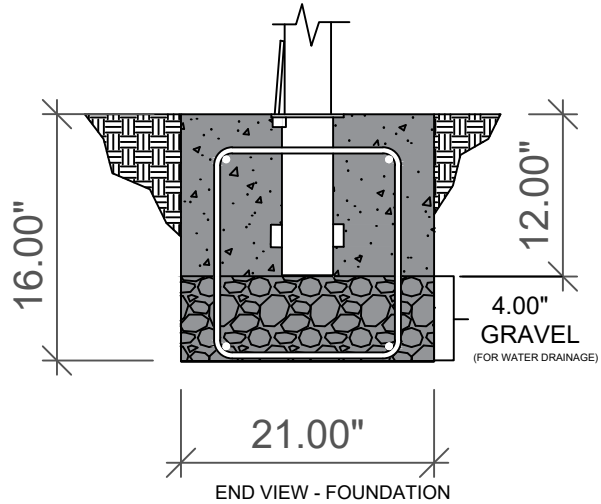


1-800-BOLLARDS

The Bollard Experts

- SELECT DESIRED MATERIAL:
(8" NOMINAL SIZE)
 - RSS08000 SCH 10 STAINLESS STEEL
 - RSS08040 SCH 40 STAINLESS STEEL
 - RSS08080 SCH 80 STAINLESS STEEL
 - RCS08040 SCH 40 ASTM A-53 CARBON STEEL
 - RCS08080 SCH 80 ASTM A-53 CARBON STEEL
- SELECT DESIRED STAINLESS STEEL BOLLARD FINISH:
 - POLISHED #4 FINISH
 - AS SPECIFIED _____
- SELECT DESIRED CARBON STEEL BOLLARD FINISH:
 - POWDER COAT RAL # _____
 - AS SPECIFIED _____
- SELECT DESIRED STAINLESS STEEL BOLLARD MATERIAL:
 - TYPE 304
 - TYPE 316
- SELECT DESIRED BOLLARD CAP STYLE:
 -  DOME (SHOWN)
 -  STANDARD FLAT
 -  REVEAL
 -  SLOPED



REVISIONS			
LTR	DESCRIPTION	DATE	APPVD
COMMENTS			
SPECIFICATIONS			
HEIGHT: 36"			
DIAMETER: 8.62"			
WALL THICKNESS: 0.280" SCHED 40			

NOTES:
 1. INSTALLATION TO BE COMPLETED IN ACCORDANCE WITH MANUFACTURER'S SPECIFICATIONS.
 2. DO NOT SCALE DRAWING.
 3. THIS DRAWING IS INTENDED FOR USE BY ARCHITECTS, ENGINEERS, CONTRACTORS, CONSULTANTS AND DESIGN PROFESSIONALS FOR PLANNING PURPOSES ONLY. THIS DRAWING MAY NOT BE USED FOR CONSTRUCTION.
 4. ALL INFORMATION CONTAINED HEREIN WAS CURRENT AT THE TIME OF DEVELOPMENT BUT MUST BE REVIEWED AND APPROVED BY THE PRODUCT MANUFACTURER TO BE CONSIDERED ACCURATE.
 5. CONTRACTOR'S NOTE: FOR PRODUCT AND COMPANY INFORMATION VISIT www.CADdetails.com/info AND ENTER REFERENCE NUMBER 644627.

APPLICATION		SERIES NUMBER	CAGE CODE	REV	DRAWING NUMBER	
NEXT ASSY	USED ON	XX-S060-XX	6NGJB		REMOVABLE	
		PRODUCT FAMILY			REMOVABLE	
		PRODUCT CLASS		DRAWN BY: AJA	DRAWING REV:	
		PRODUCT LINE		CHECKED BY:	SHEET: 1 OF 1	
		PRODUCT SUB LINE		APPROVED BY:	RELEASE DATE:	
		1-800-BOLLARDS, Inc. 10 Hughes Suite A105 Irvine, CA 92618 PHONE: 1-800-BOLLARDS WEB: www.1800BOLLARDS.COM EMAIL: info@1800BOLLARDS.COM			TITLE	
					BOLLARD, INTERNAL REMOVABLE	